

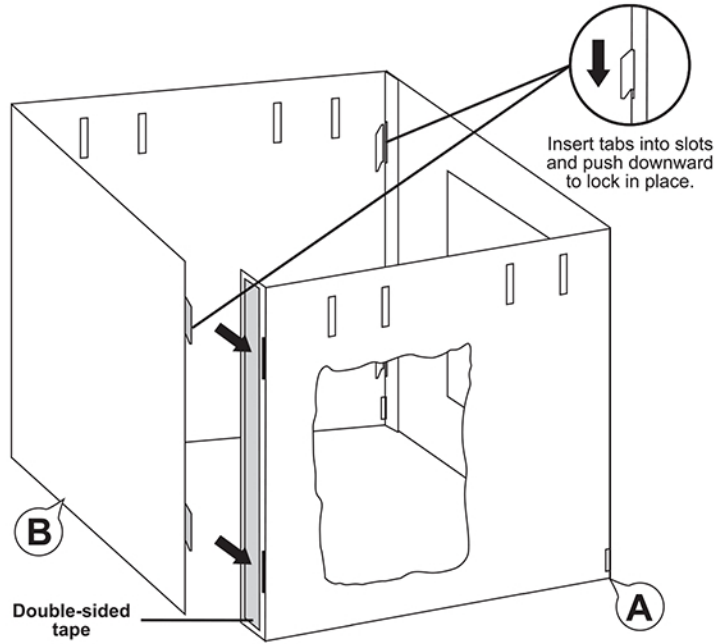
DO NOT RETURN THIS UNIT TO THE STORE Please make sure you have all parts prior to assembly.

All SportPet® products include a 6-month limited manufacturer's warranty for defective or missing parts.

If any parts are missing or damaged, Please contact our friendly customer service center at info@sportpet.com

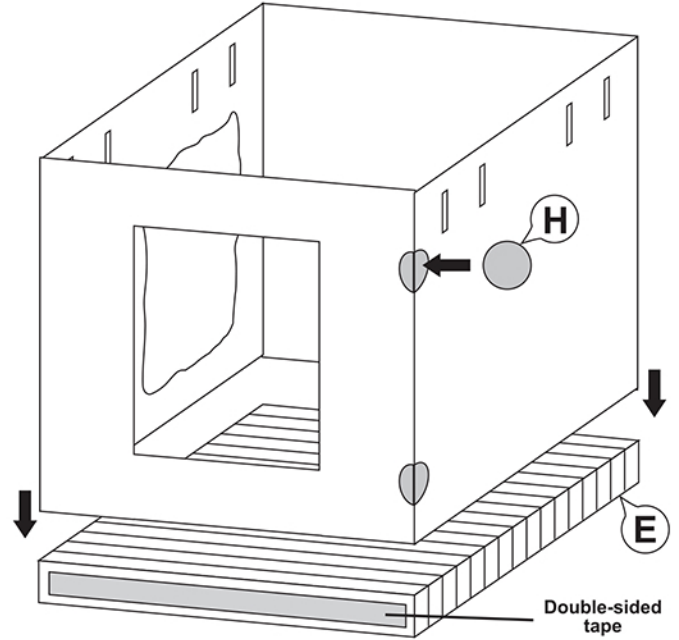
Step 1

Remove protective film from double-sided tape of **Main Panels (A and B)**. Connect **Main Panels (A and B)** by folding sides and inserting tabs into slots as shown.



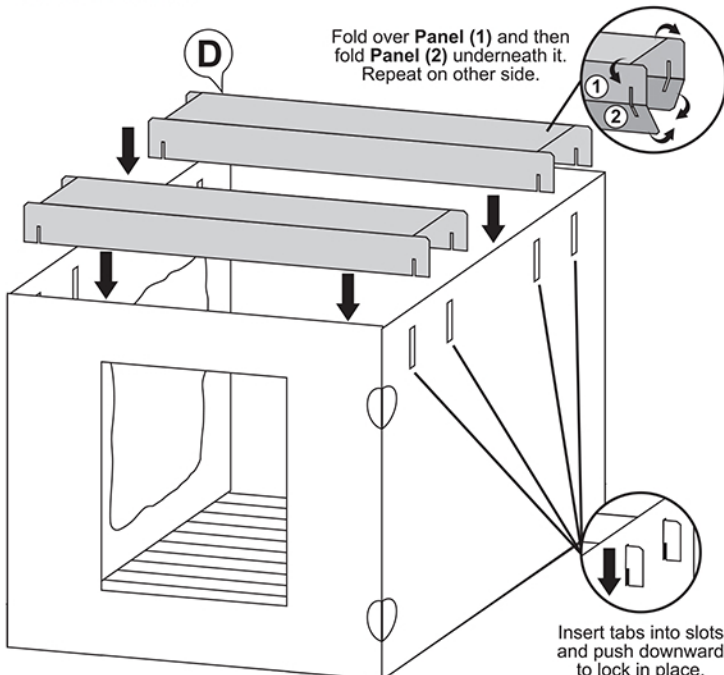
Step 2

Slide **Completed Panels** over the sides of **Corrugate Board (E)** as shown. Use double-sided tape to attach the board to the front and back panels. Reinforce connections by placing **Clear Stickers (H)** over the tabs and slots as shown.



Step 3

Fold **Platforms (D)** and insert into slots on top of **Completed Panels** as shown.



Step 4

Fold **Top Panel (C)**, and insert it into the completed bottom piece as shown.

