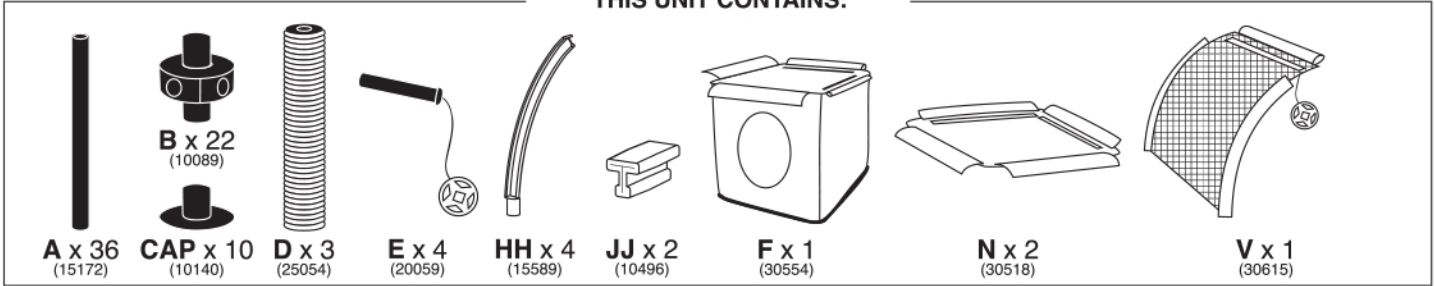


# Starter Kit

SPO0586

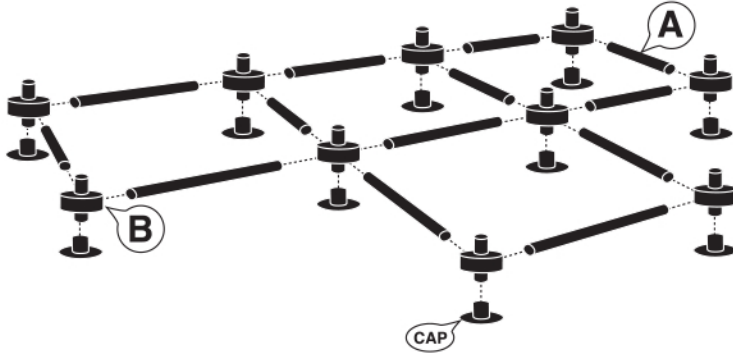
3/19/14 V3

THIS UNIT CONTAINS:



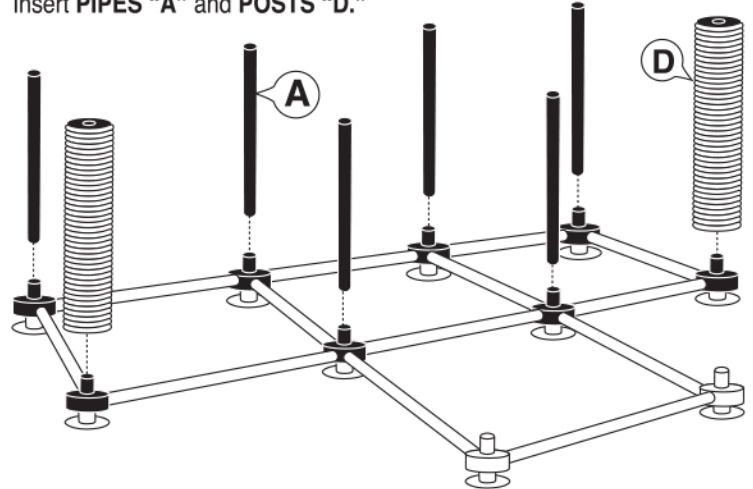
## STEP 1

Assemble base as shown.



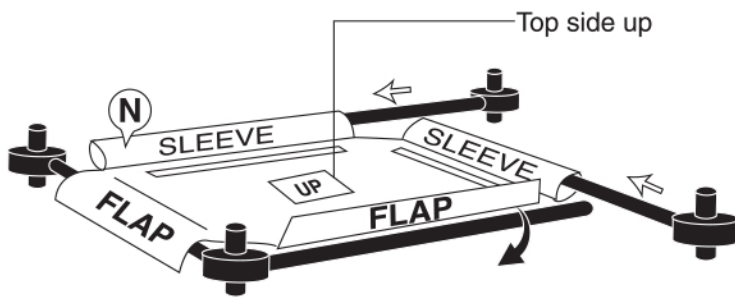
## STEP 2

Insert PIPES "A" and POSTS "D."



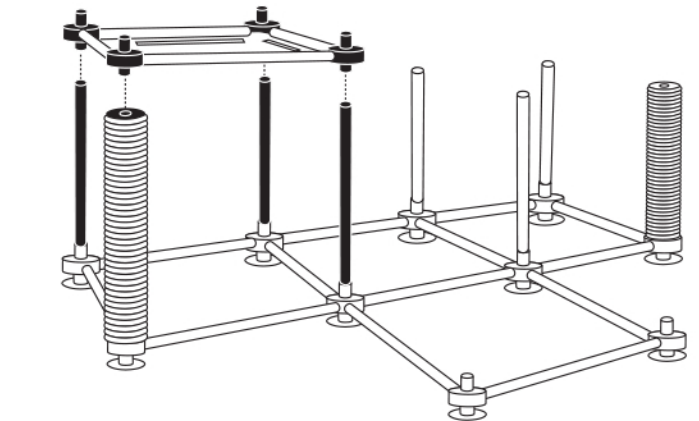
## STEP 3

Using PLATFORM "N," slide pipes through SLEEVES and hook and loop FLAPS over pipes as shown. Insert pipes into joints.



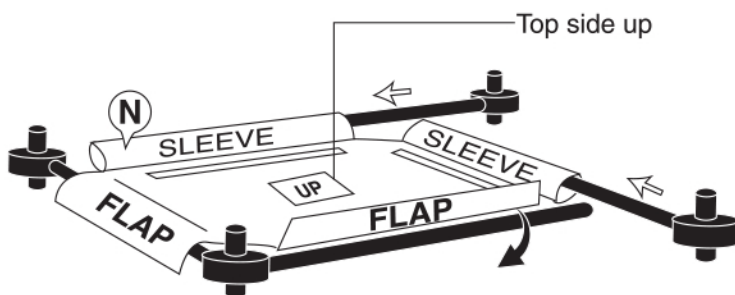
## STEP 4

Attach PLATFORM "N" to assembled unit.



## STEP 5

Using second PLATFORM "N," slide pipes through SLEEVES and hook and loop FLAPS over pipes as shown. Insert pipes into joints.



## STEP 6

Attach PLATFORM "N" to assembled unit. Insert pipe into joints.

