

Sleeper Tree

CM0300

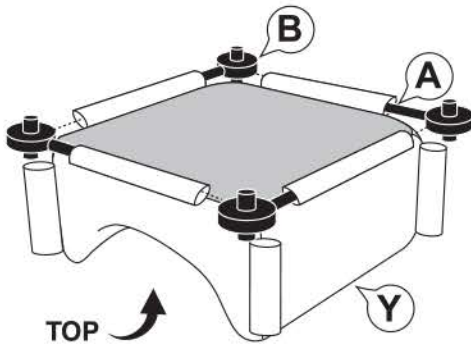
4/17/17 V1

THIS UNIT CONTAINS:



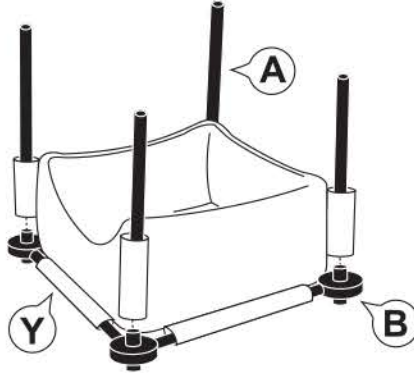
STEP 1

Place TOP of BED "Y" on the ground. Slide PIPES "A" through SLEEVES of BED "Y" as shown and insert pipes into joints.



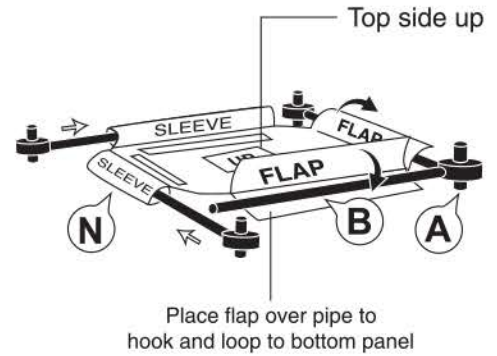
STEP 2

Rotate BED "Y" so the TOP is facing up. Slide PIPES "A" through SLEEVES of BED "Y" as shown and insert pipes into joints.



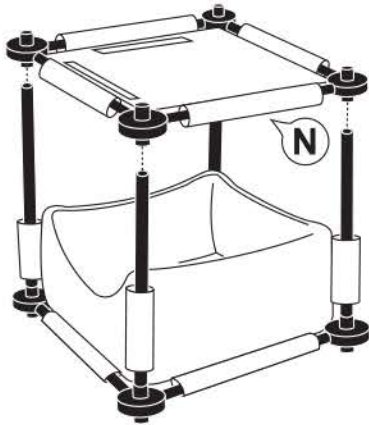
STEP 3

Using PLATFORM "N," slide pipes through SLEEVES and hook and loop FLAPS over pipes as shown. Insert pipes into joints.



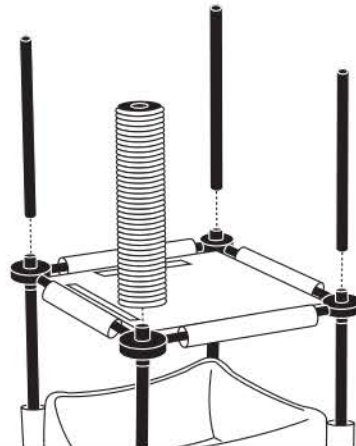
STEP 4

Attach PLATFORM "N" to assembled unit.



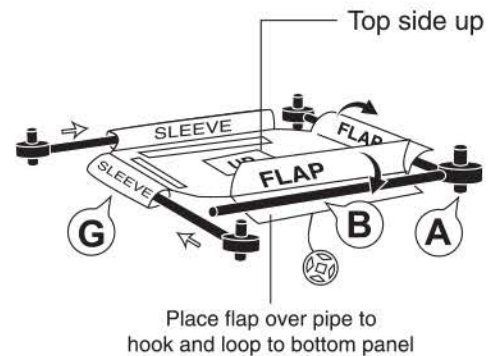
STEP 5

Insert PIPES "A" and POST "D."



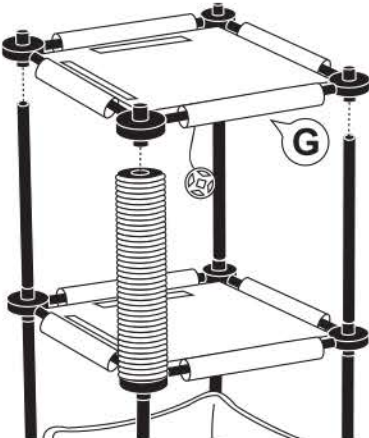
STEP 3

Using PLATFORM "G," slide pipes through SLEEVES and hook and loop FLAPS over pipes as shown. Insert pipes into joints.



STEP 7

Attach PLATFORM "G" to assembled unit.



STEP 8

Attach CAPS last.

