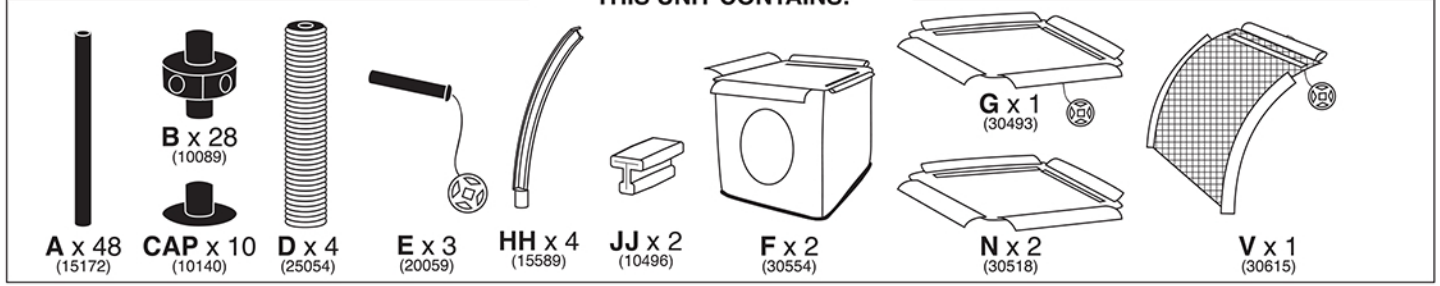


Mega Kit

SPO0587

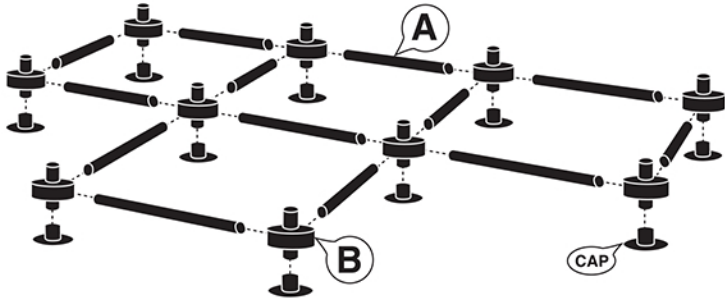
2/12/14 V3

THIS UNIT CONTAINS:



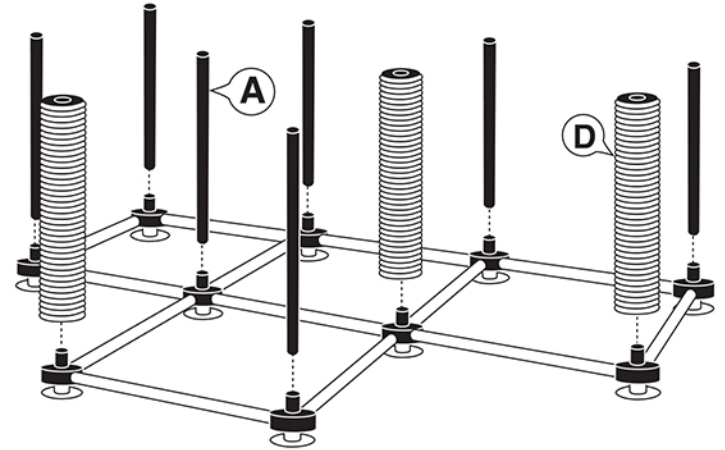
STEP 1

Assemble base as shown.



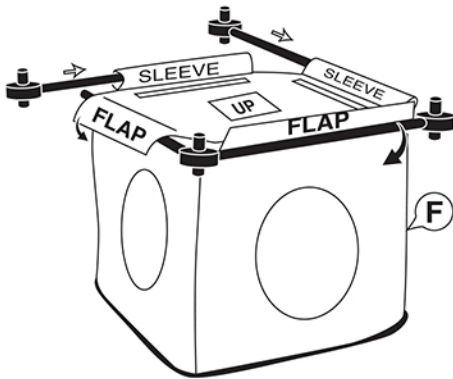
STEP 2

Insert PIPES "A" and POSTS "D."



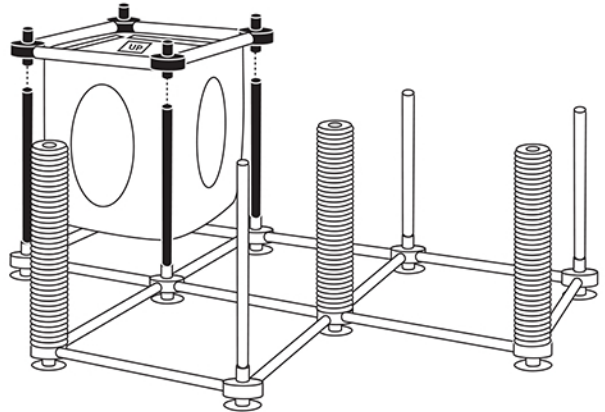
STEP 3

Using CUBE "F," slide pipes through SLEEVES and hook and loop FLAPS over pipes as shown. Insert pipes into joints.



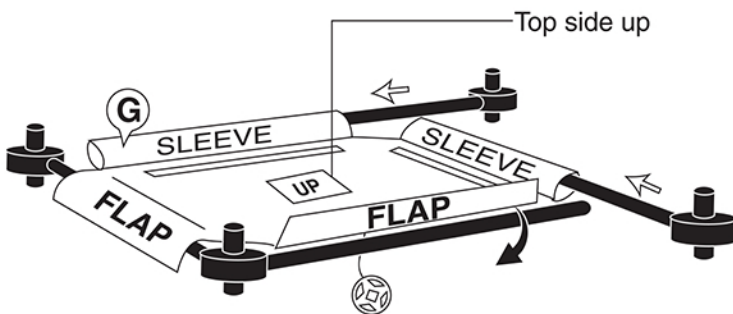
STEP 4

Attach CUBE "F" to assembled unit.



STEP 5

Using PLATFORM "G," slide pipes through SLEEVES and hook and loop FLAPS over pipes as shown. Insert pipes into joints.



STEP 6

Attach PLATFORM "G" to assembled unit. Insert pipe into joints.

