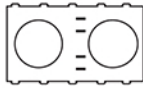




**A x 2**  
(41052)



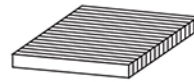
**B x 1**  
(41061)



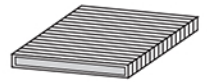
**C x 1**  
(41070)



**D x 2**  
(41089)



**E x 1**  
(25601)



**F x 1**  
(25595)

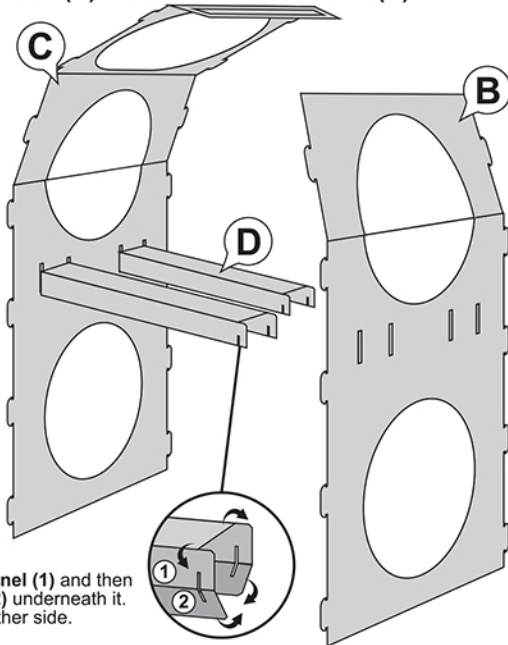
**DO NOT RETURN THIS UNIT TO THE STORE** Please make sure you have all parts prior to assembly.

All SportPet® products include a 6-month limited manufacturer's warranty for defective or missing parts.

If any parts are missing or damaged, Please contact our friendly customer service center at [info@sportpet.com](mailto:info@sportpet.com)

## Step 1

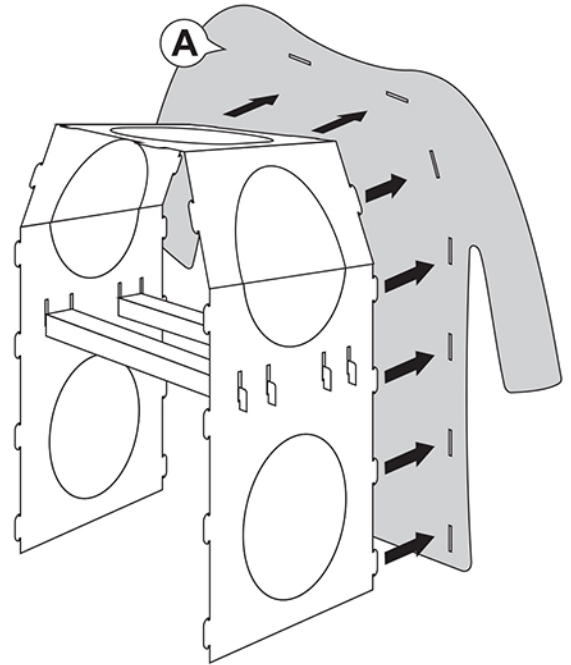
Fold **Platforms (D)** and insert into slots of **Side Panels (B and C)**. Connect Top of **(C)** by removing protective film from double-sided tape of **Side Panel (C)** and attach to **Side Panel (B)**.



Fold over **Panel (1)** and then fold **Panel (2)** underneath it. Repeat on other side.

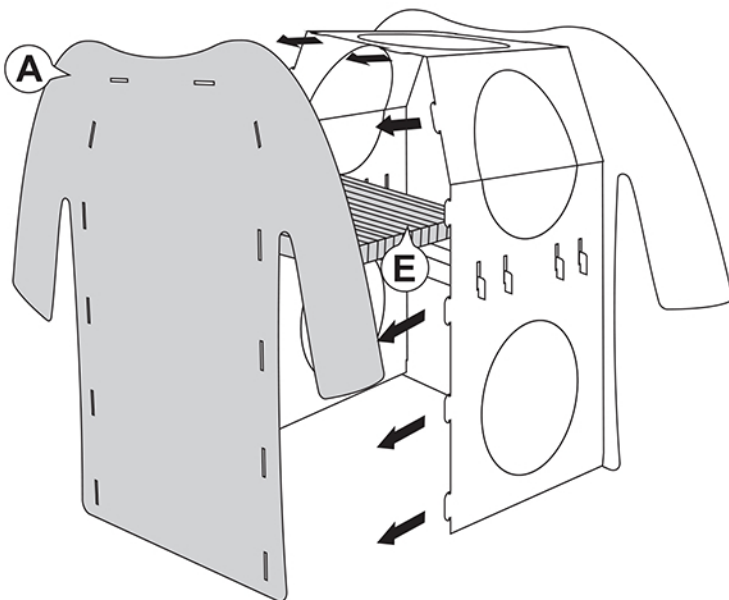
## Step 2

Attach **Back Panel (A)** to **Completed Panels** by inserting tabs into slots as shown.



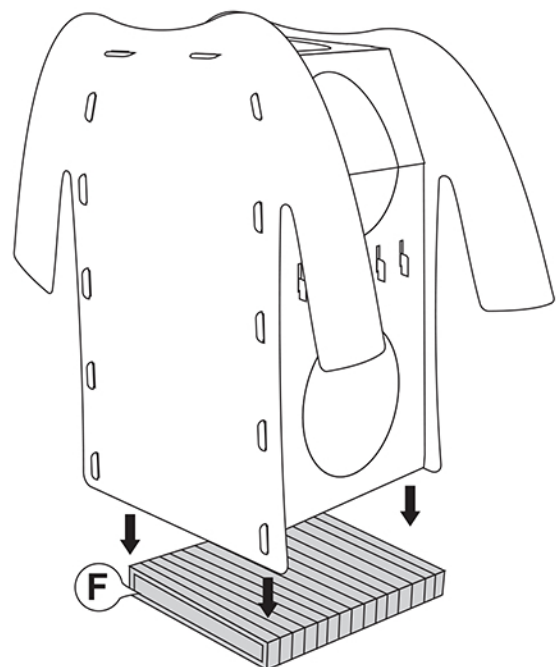
## Step 3

Insert **Corrugate Board (E)** on top of **Supports (D)**. Attach **Front Panel (A)** to **Completed Panels** by inserting tabs into slots as shown.



## Step 4

Remove protective film from double-sided tape of **Corrugate Board with Tape (F)**. Slide **Completed Panels** over the sides. Press to attach the board to the front and back panels as shown.



Because every cat is different, it is important to monitor your cat's behavior with this product. If at any time your cat damages this item, or any portion of this item becomes damaged, remove the damaged portion or discontinue use of the product.