



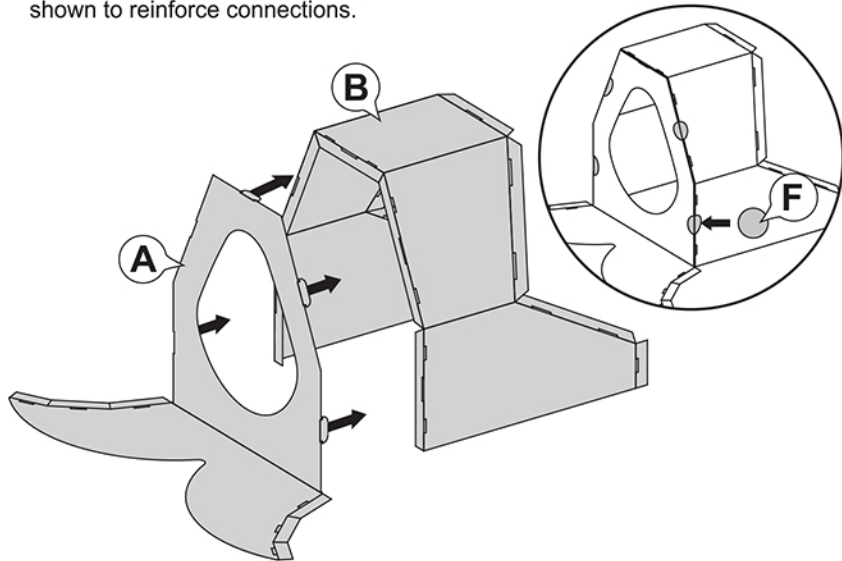
DO NOT RETURN THIS UNIT TO THE STORE Please make sure you have all parts prior to assembly.

All SportPet® products include a 6-month limited manufacturer's warranty for defective or missing parts.

If any parts are missing or damaged, Please contact our friendly customer service center at info@sportpet.com

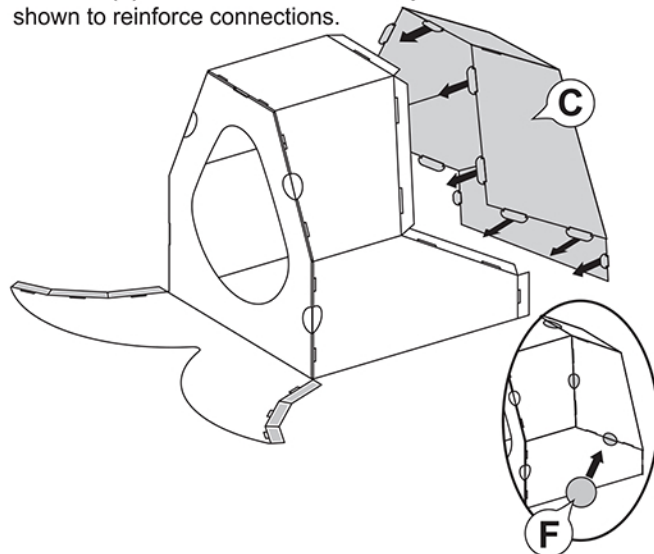
Step 1

Fold **Center Panel (B)** and attach **Front Panel (A)** by inserting tabs into slots as shown. Place **Clear Stickers (F)** over seam after each tab you insert into slot as shown to reinforce connections.



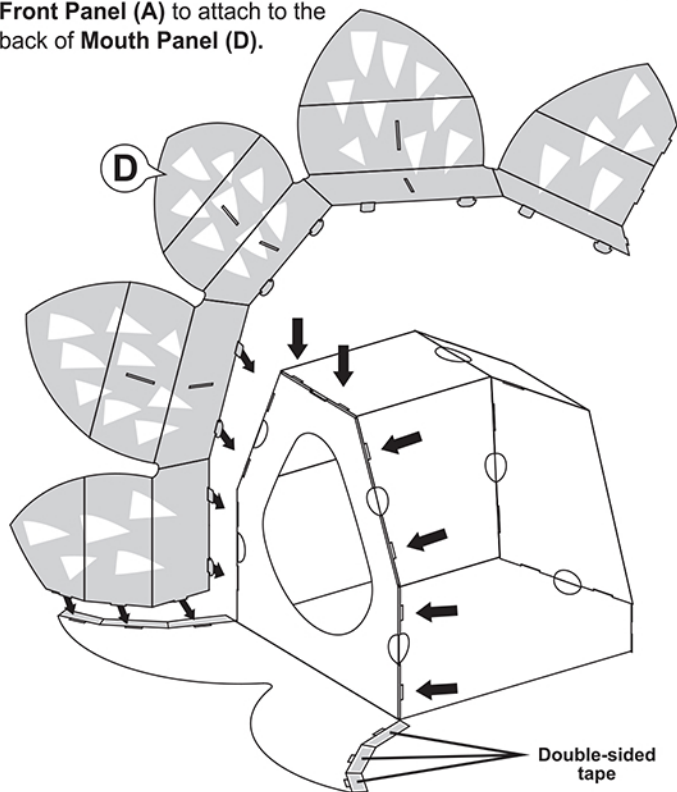
Step 2

Attach **Back Panel (C)** to **Completed Panels** by inserting tabs into slots as shown. Reinforce connections by placing **Clear Stickers (F)** over seam after each tab you insert into slot as shown to reinforce connections.



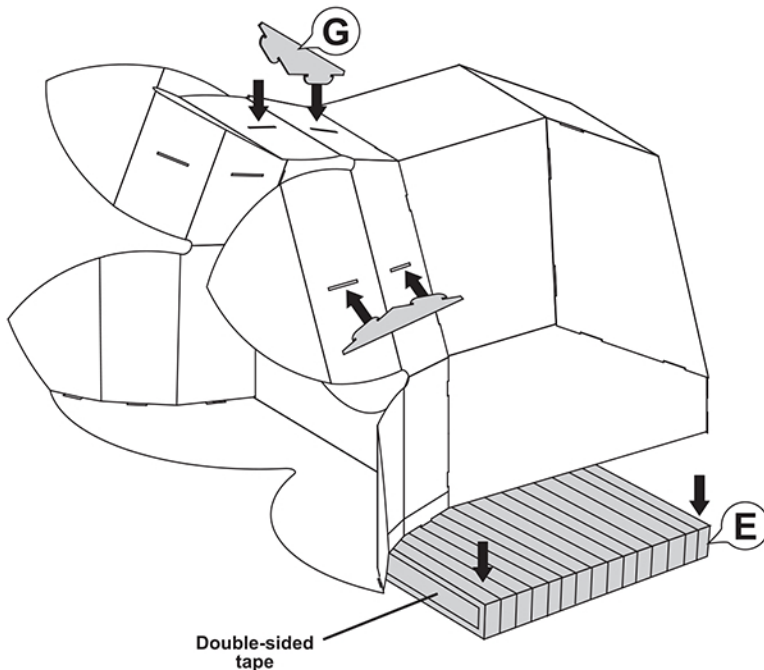
Step 3

Attach **Mouth Panel (D)** to **Completed Panels** by inserting tabs into slots as shown. Remove protective film from double-sided tape of **Front Panel (A)** to attach to the back of **Mouth Panel (D)**.



Step 4

Insert **Braces (G)** into slots of **Mouth Panel (D)**. Remove protective film from double-sided tape of **Corrugate Board (E)**. Slide **Completed Panels** over the sides. Press to attach the board to the front and back panels as shown.



Because every cat is different, it is important to monitor your cat's behavior with this product. If at any time your cat damages this item, or any portion of this item becomes damaged, remove the damaged portion or discontinue use of the product.