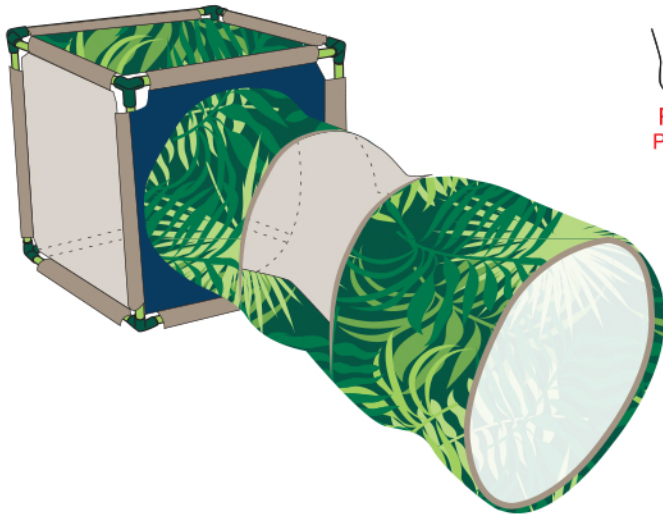


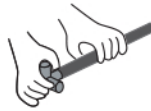
DO NOT RETURN THIS UNIT TO THE STORE Please make sure you have all parts prior to assembly. All SportPet® products include a 6-month limited manufacturer's warranty for defective or missing parts. If any parts are missing or damaged, please email our friendly customer service center at info@sportpet.com

Finished Product

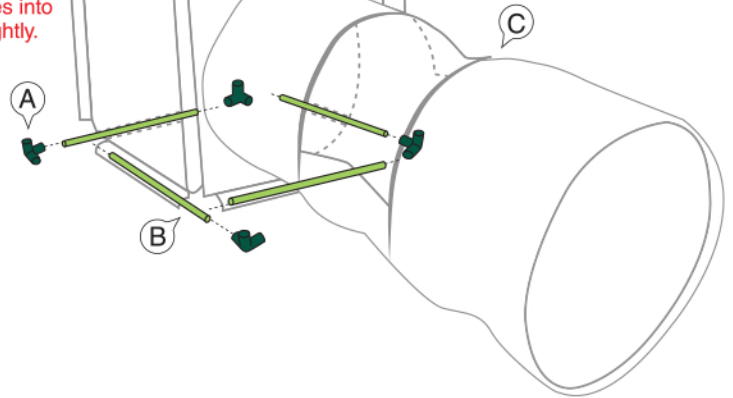


Step 1

Assemble the base by sliding **Pipes (B)** through sleeves of **Fabric (C)** and connect to **Joints (A)** as shown below.

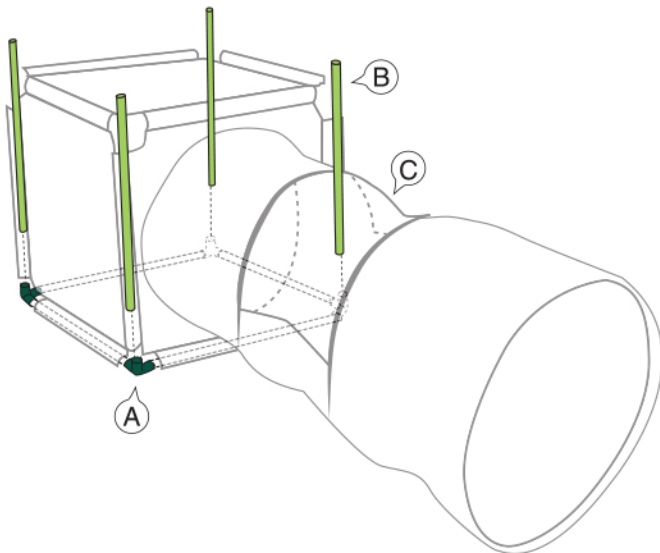


REMINDER:
Push pipes into joints tightly.



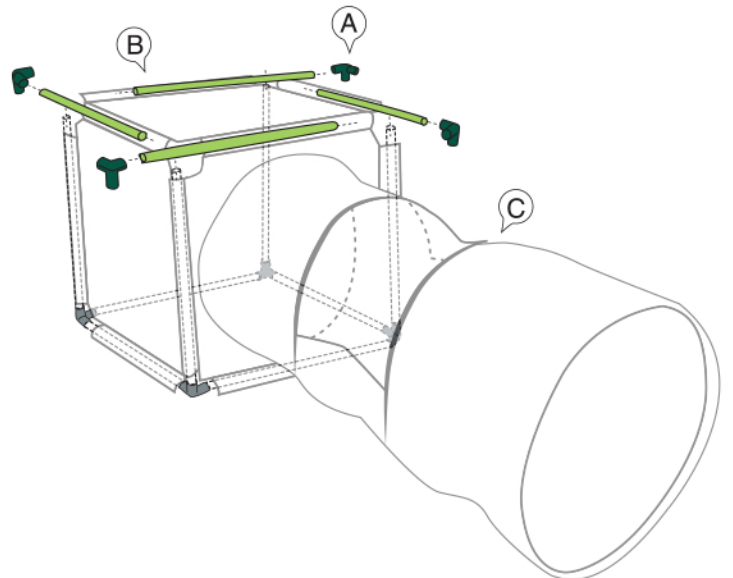
Step 2

Slide **Pipes (B)** through sleeves of **Fabric (C)** and connect to **Joints (A)** as shown below.



Step 3

Connect the remaining **Pipes (B)** through sleeves of **Fabric (C)** and connect to **Joints (A)** as shown below.



Because every pet is different, it is important to monitor your pet's behavior with this product. If at any time your pet damages this item, or any portion of this item becomes damaged, remove the damage portion and discontinue use of the product.