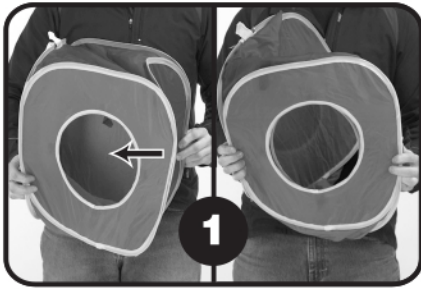


Pop Open Cube & House Folding Instructions*

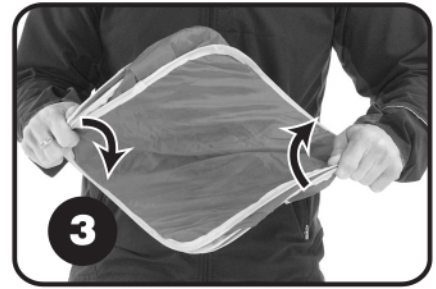
6/11/18 V3



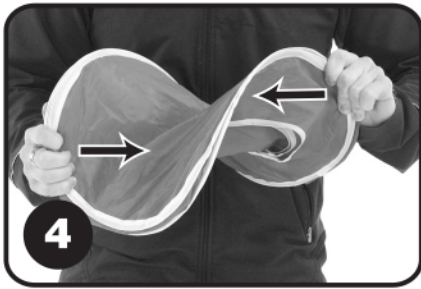
Collapse item into flat position.



Place hands as pictured on each end of the depressed item.



Grasping each end of the item, rotate and push inward.



Item will form three sections. Position one on top of the other, forming a circle.



Hold compressed sections tightly together.

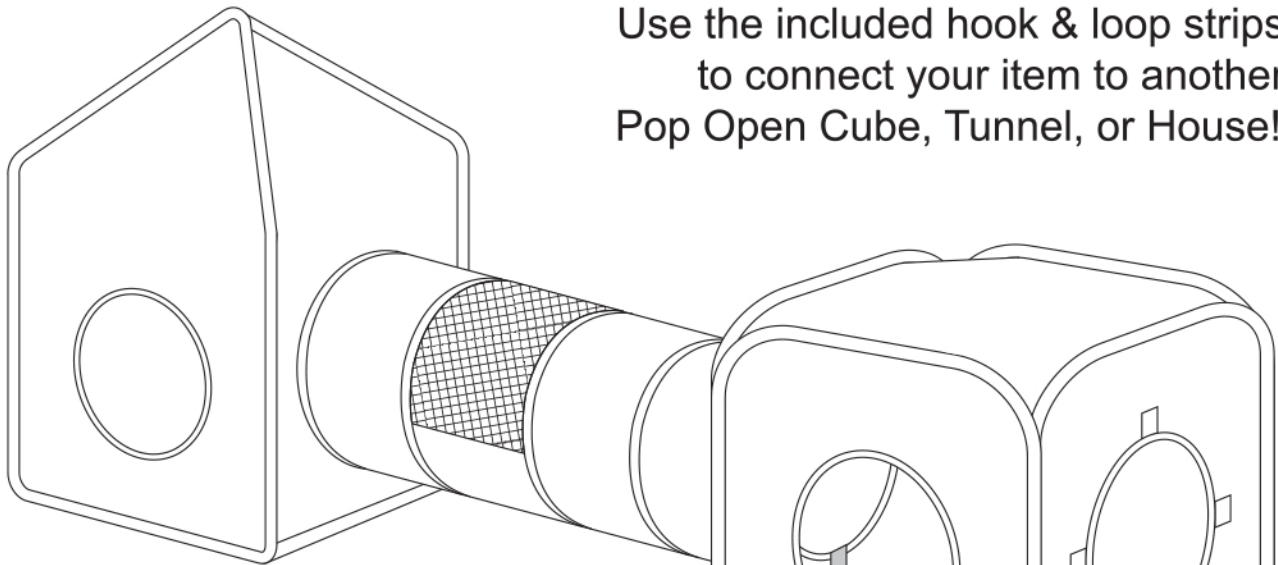


Place elastic band around compressed circle. Cube/House is now ready to store!

* Tunnel does not fold down

Pop Open Connecting Instructions

Use the included hook & loop strips to connect your item to another Pop Open Cube, Tunnel, or House!*



Connect units by attaching one end of a hook & loop strip to a hook & loop tab inside the hole of the first item.

Attach the other end of the strip to the tab inside the hole of the second item.

* Additional items sold separately.

