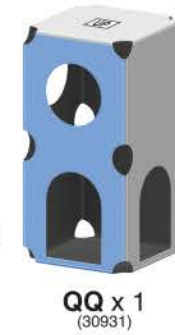


ONLY ONE FABRIC BODY IS INCLUDED WITH PURCHASE. THE FABRIC BODY WILL MATCH THE IMAGE ON THE PACKAGED PRODUCT.



A x 20
(15179)

CAP x 4
(10146)

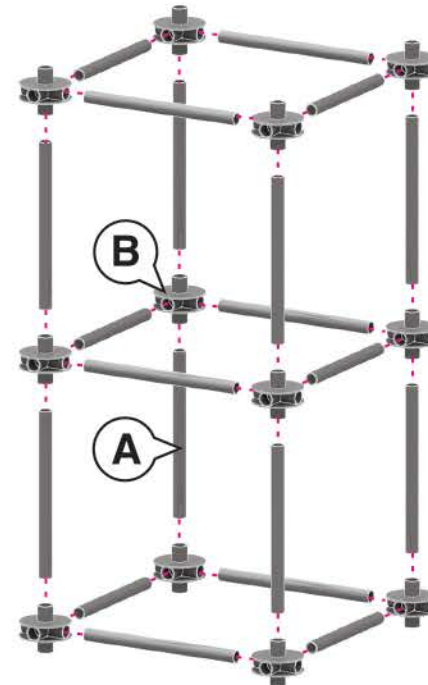
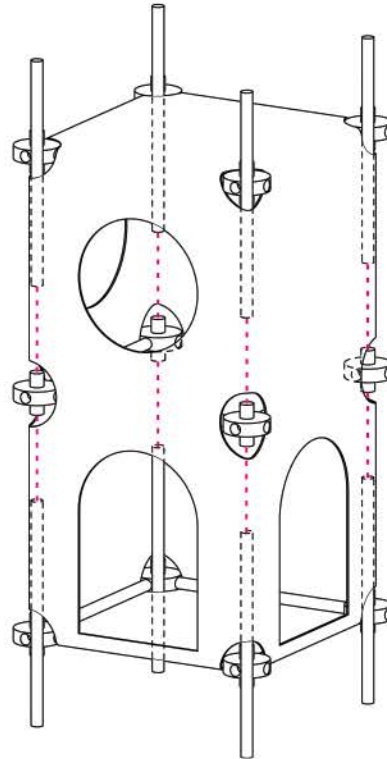
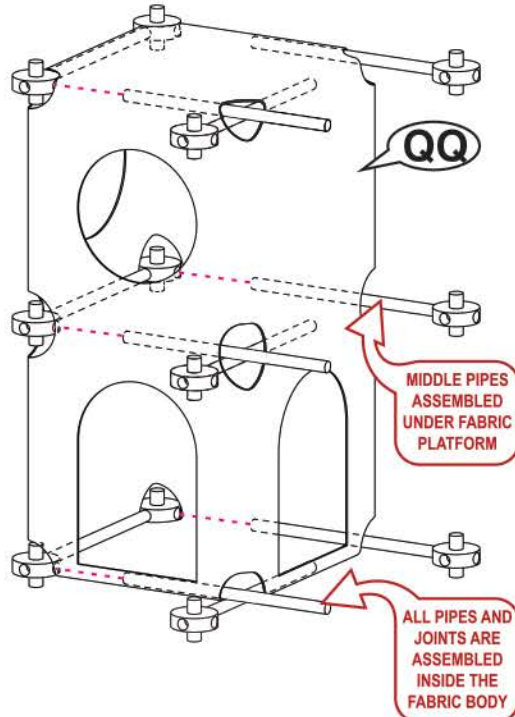
PP x 2
(15710)

QQ x 1
(30922)

QQ x 1
(30931)

ALL PIPES AND JOINTS ARE ASSEMBLED INSIDE THE FABRIC BODY

STEP 1: Assemble **PIPES (A)** into **JOINTS (B)** inside **FABRIC BODY (QQ)** as shown below. Assemble the middle horizontal pipes **UNDER** the central fabric platform.



SKELETON VIEW FOR REFERENCE

STEP 2: Attach **PIPES (PP)** and **FLAGS (NN)** to the top. Attach **CAPS** to the base.

