

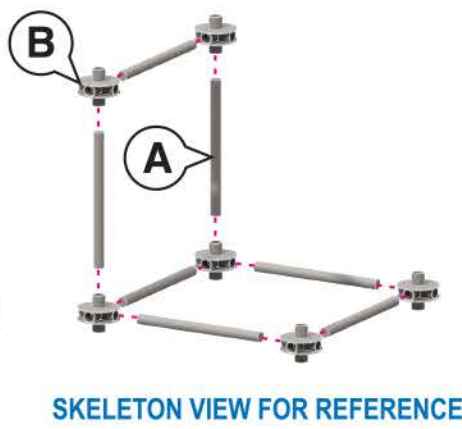
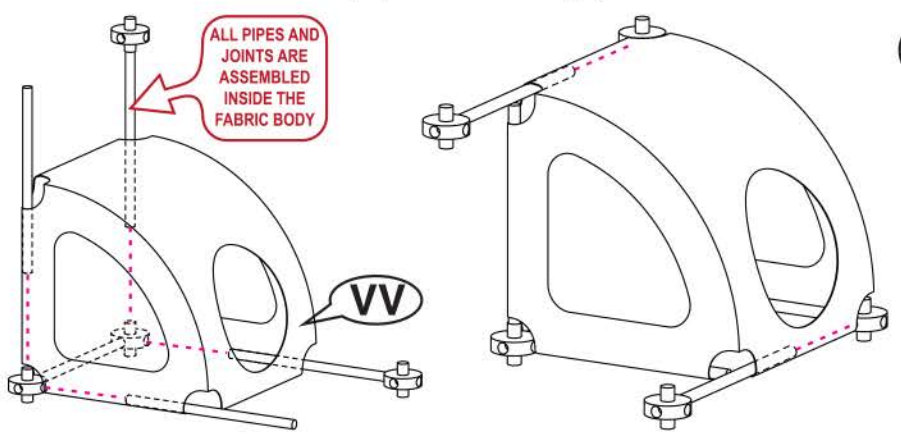
ONLY ONE FABRIC BODY IS INCLUDED WITH PURCHASE. THE FABRIC BODY WILL MATCH THE IMAGE ON THE PACKAGED PRODUCT.



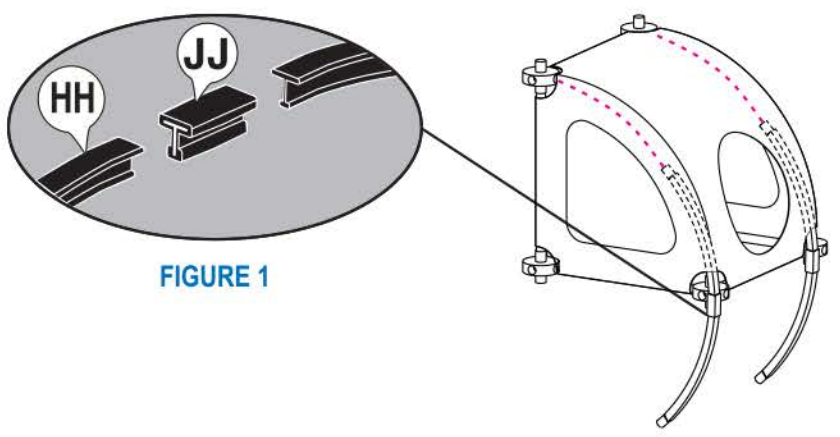
A x 7 (15179) **B x 6** (10093) **HH x 4** (15589) **JJ x 2** (10496) **LL x 1** (30904) **VV x 1** (30968) **VV x 1** (30977)

ALL PIPES AND JOINTS ARE ASSEMBLED INSIDE THE FABRIC BODY

STEP 1: Assemble **PIPES (A)** into **JOINTS (B)** inside **FABRIC BODY (VV)** as shown below.



STEP 2: Connect **CURVED PIPES (HH&JJ)** as shown in **FIGURE 1**. Insert **CURVED PIPES** into **JOINTS (B)** inside **FABRIC BODY (VV)** as shown below.



STEP 3: Attach **CAPS** to the base. Insert **CUSHION (LL)** into completed item.

