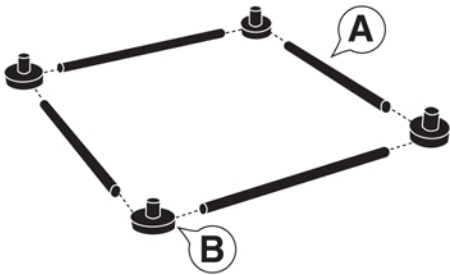


THIS UNIT CONTAINS:



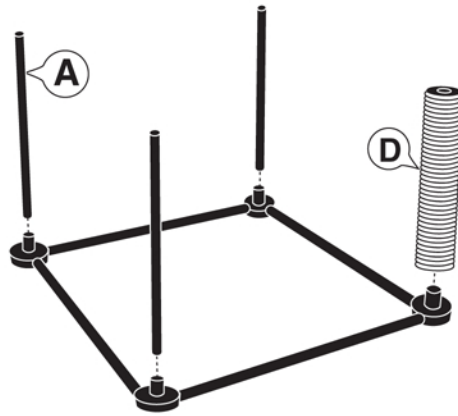
STEP 1

Assemble base as shown.



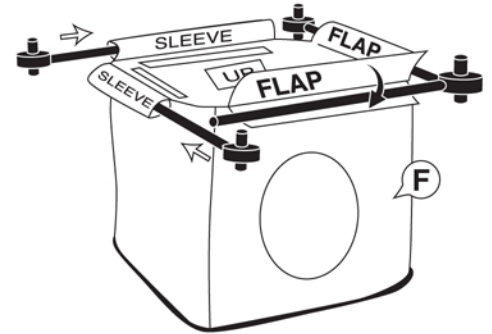
STEP 2

Insert PIPES "A" and POST "D."



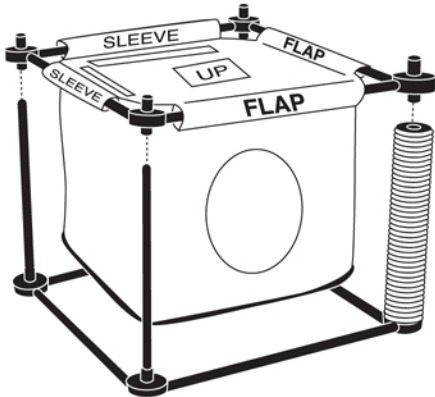
STEP 3

Using CUBE "F," slide pipes through SLEEVES and hook and loop FLAPS over pipes as shown. Insert pipes into joints.



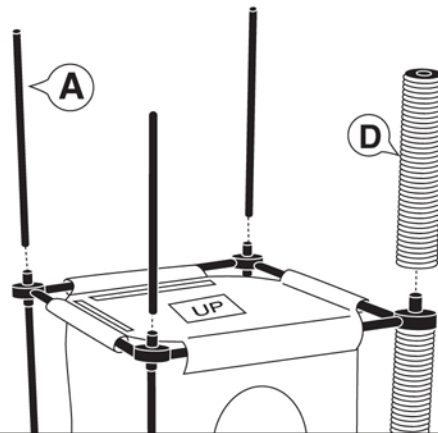
STEP 4

Attach completed CUBE "F" to base.



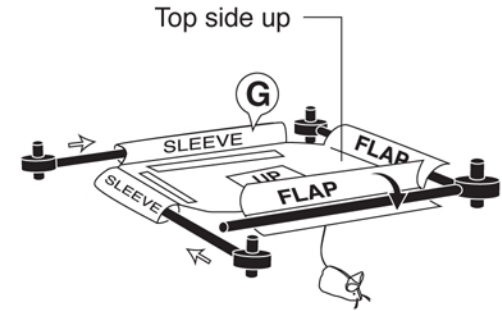
STEP 5

Insert PIPES "A" and POST "D."



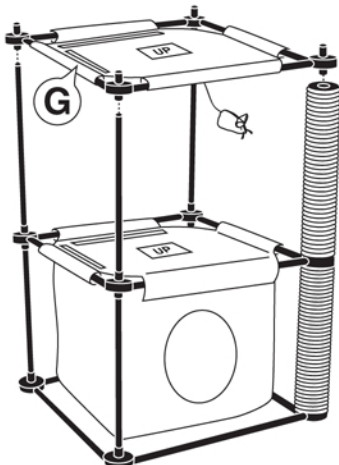
STEP 6

Using PLATFORM "G," slide pipes through SLEEVES and hook and loop FLAPS over pipes as shown. Insert pipes into joints.



STEP 7

Attach PLATFORM "G" to assembled unit.



STEP 8

Attach CAPS and TOY "E" last.

