

Outdoor Play Kennel Instructions

CM10173 | 3/2/21 V1



1

Fold kennel completely flat and tuck in excess fabric on sides.



2

Hold kennel flat against your body with your hands on opposite corners.



3

Twist kennel in opposite directions, pushing inwards.



4

Continue applying inward pressure in both directions, forming three layers.



5

Position the three layers one on top of the other, to form a compact round shape.



6

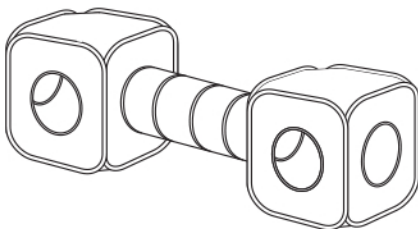
Finally, slide the elastic band over the kennel.

- Not a long term pet containment system
- Not for vicious or chewing pets
- Only for kennel trained pets
- Does not protect pet or passenger in car accident

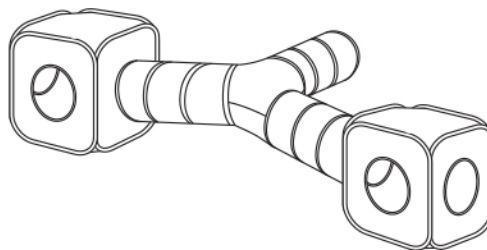
Collect Them All!

Combine more than one unit using zippers to create unique, exciting structures.

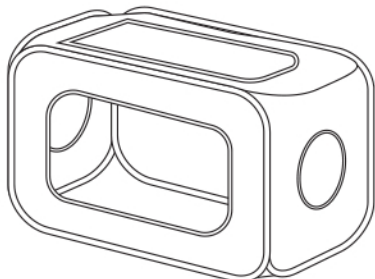
Outdoor Two-Way Play Tunnel



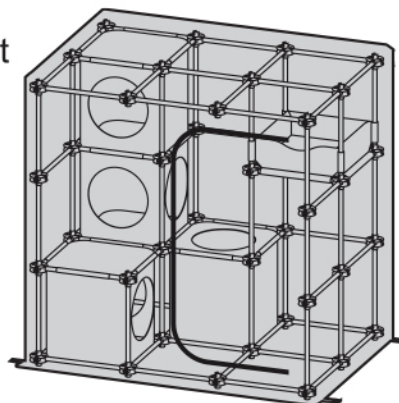
Outdoor Three-Way Play Tunnel



Outdoor Play Kennel



Outdoor Mega Kit



DO NOT RETURN THIS UNIT TO THE STORE Please make sure you have all parts prior to assembly.

All SportPet® products include a 6-month limited manufacturer's warranty for defective or missing parts.

If any parts are missing or damaged, please email our friendly customer service center at info@sportpet.com



Because every cat is different, it is important to monitor your cat's behavior with this product. If at any time your cat damages this item, or any portion of this item becomes damaged, remove the damaged portion or discontinue use of the product.