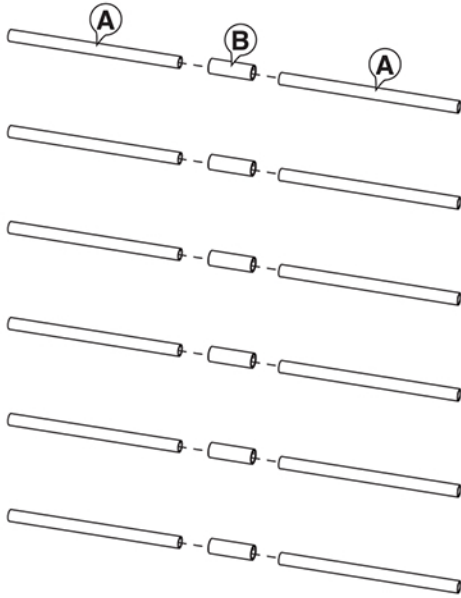


DO NOT RETURN THIS UNIT Please make sure you have all parts prior to assembly.
 All SportPet® products include a 6-month limited manufacturer's warranty for defective or missing parts.
 If any parts are missing or damaged, please email our friendly customer service center at info@sportpet.com

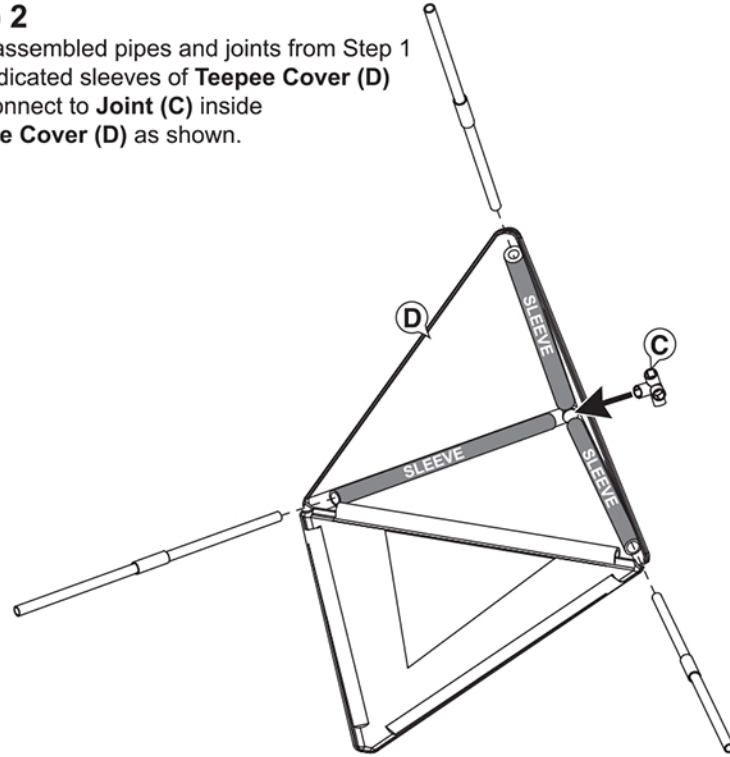
Step 1

Connect **Pipes (A)** to **Joint (B)**. Repeat this step for the remaining 5 sets.



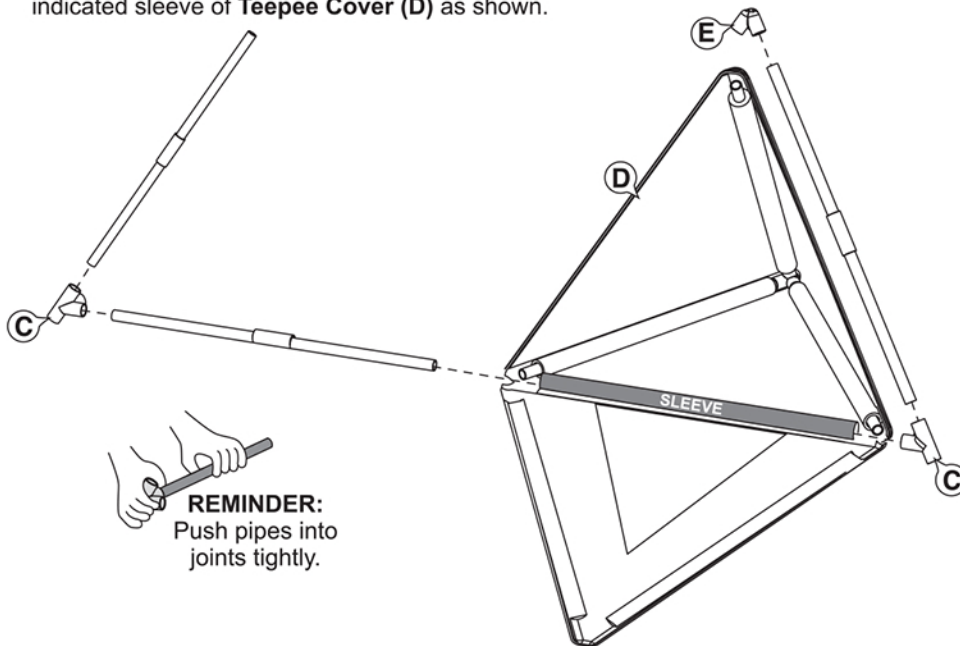
Step 2

Slide assembled pipes and joints from Step 1 into indicated sleeves of **Teepee Cover (D)** and connect to **Joint (C)** inside **Teepee Cover (D)** as shown.



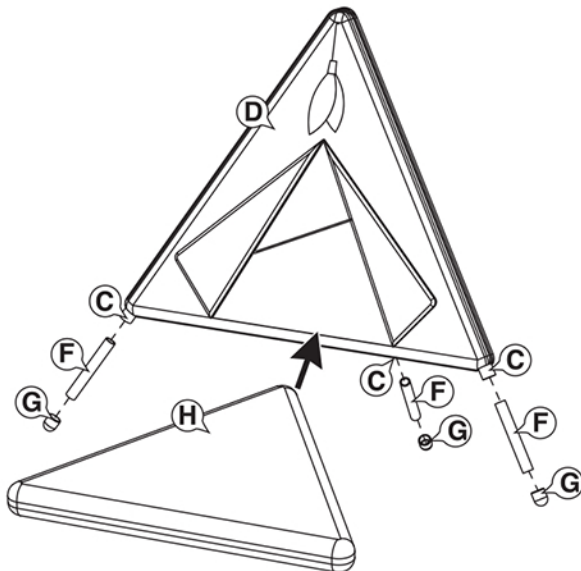
Step 3

Complete teepee frame by connecting pipes and joints from Step 1 into **Joints (C & E)** inside **Teepee Cover (D)**. Insert bottom front pipes and joints from Step 1 into indicated sleeve of **Teepee Cover (D)** as shown.



Step 4

Zipper front of **Teepee Cover (D)** closed. Connect three **Feet (G)** to **Pipes (F)** to **Joints (C)** as shown. Insert **Bed (H)** into assembled Teepee Bed.



! Because every cat is different, it is important to monitor your cat's behavior with this product. If at any time your cat damages this item, or any portion of this item becomes damaged, remove the damaged portion or discontinue use of the product.