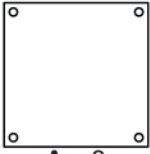


# Two Story Hide and Seek Climber CM-10135 11/9/20 V1

This Package Contains



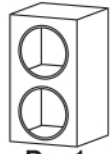
**A x 3**  
(23560)



**B x 8**  
(16083)



**C x 4**  
(11176)



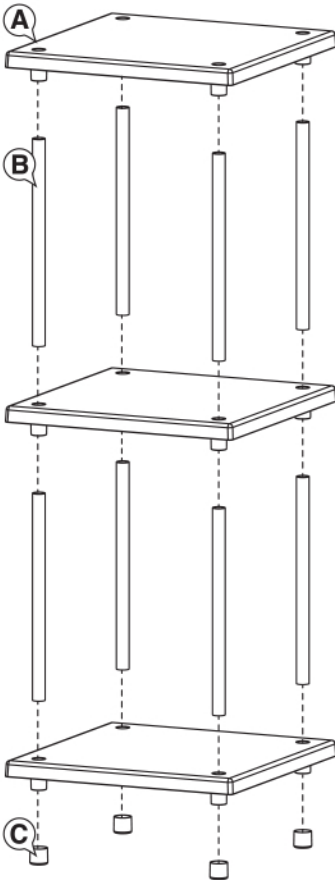
**D x 1**  
(31833)

## DO NOT RETURN THIS UNIT TO THE STORE

Please make sure you have all parts prior to assembly. All SportPet® products include a 6-month limited manufacturer's warranty for defective or missing parts. If any parts are missing or damaged, please email our friendly customer service center at [info@sportpet.com](mailto:info@sportpet.com)

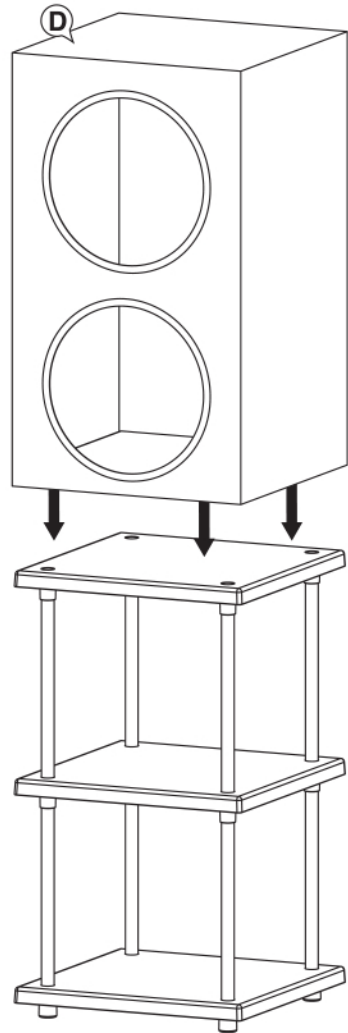
### Step 1:

Insert **Poles (B)** into **Platforms (A)** and assemble **Feet (C)** to bottom of base platform as shown below. Once assembled push down on the platforms to ensure the structure is secure.



### Step 2:

Slip **Fabric Cover (D)** over the assembled structure as shown below.



Because every cat is different, it is important to monitor your cat's behavior with this product. If at any time your cat damages this item, or any portion of this item becomes damaged, remove the damaged portion or discontinue use of the product.