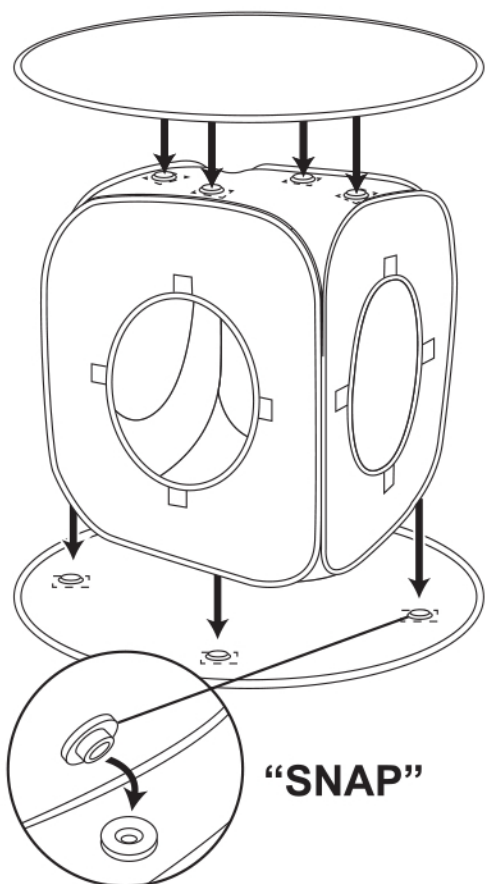
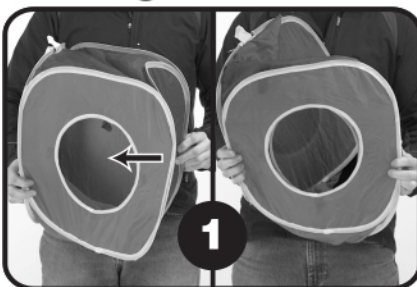


Connecting Instructions

Connect circle panels to cube by connecting snaps that align on circle panels to snaps on cube.



Folding Instructions



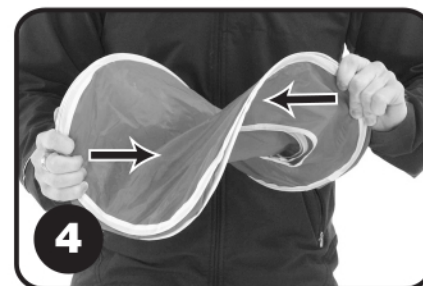
Collapse item into flat position.



Place hands as pictured on each end of the depressed item.



Grasping each end of the item, rotate and push inward.



Item will form three sections. Position one on top of the other, forming a circle.



Hold compressed sections tightly together.



Place elastic band around compressed circle. Cube/House is now ready to store!

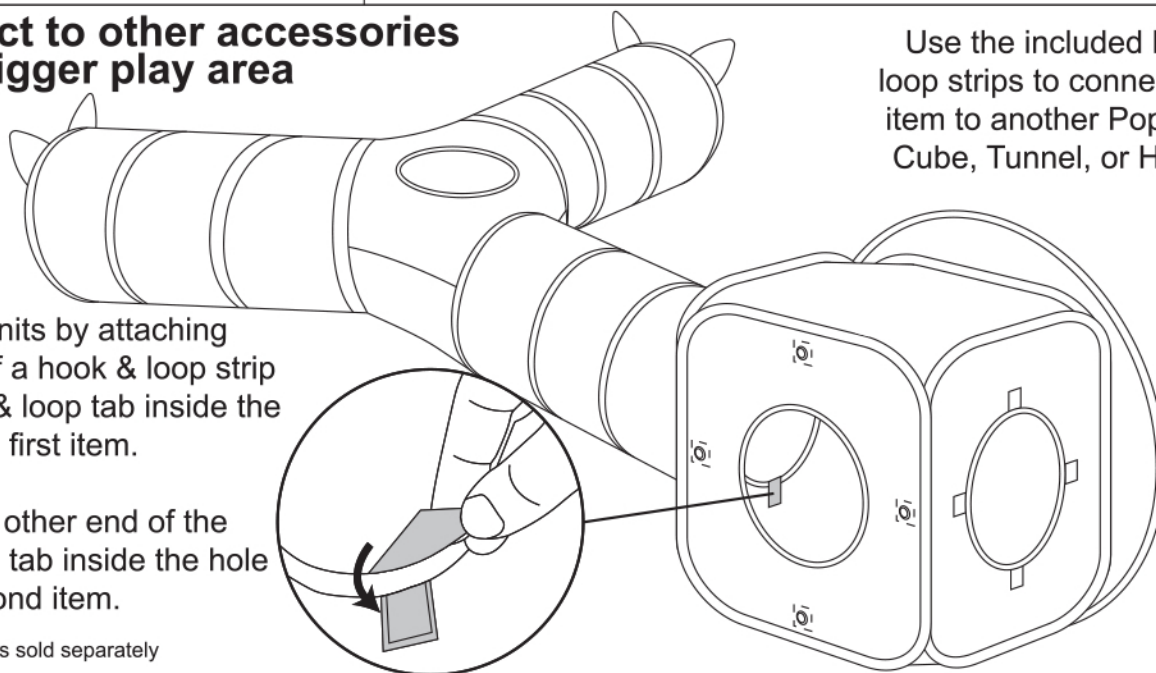
Connect to other accessories for a bigger play area

Use the included hook & loop strips to connect your item to another Pop Open Cube, Tunnel, or House!*

Connect units by attaching one end of a hook & loop strip to a hook & loop tab inside the hole of the first item.

Attach the other end of the strip to the tab inside the hole of the second item.

*Additional items sold separately



DO NOT RETURN THIS UNIT TO THE STORE Please make sure you have all parts prior to assembly.

All SportPet® products include a 6-month limited manufacturer's warranty for defective or missing parts.

If any parts are missing or damaged, please email our friendly customer service center at info@sportpet.com



Because every pet is different, it is important to monitor your pet's behavior with this product. If at any time your pet damages this item, or any portion of this item becomes damaged, remove the damaged portion or discontinue use of the product.