

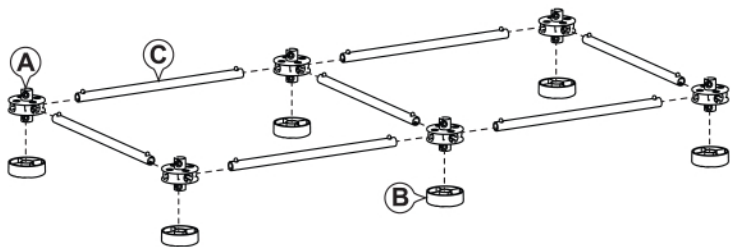
DO NOT RETURN THIS UNIT TO THE STORE Please make sure you have all parts prior to assembly.

All SportPet® products include a 6-month limited manufacturer's warranty for defective or missing parts. If any parts are missing or damaged please email our friendly customer service center at info@sportpet.com.

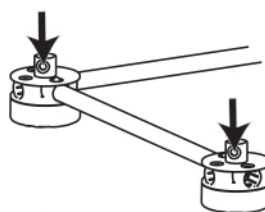
TOUGH TO PUT TOGETHER SO IT'S EVEN TOUGHER FOR YOUR CAT TO POUNCE APART!

Step 1

Assemble base using **Joints (A)**, **Feet (B)** and **Pipes (C)** as shown. *Look at **TIPS** below construction for successful assembly tricks!



TIP A



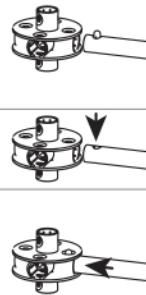
Make sure holes in **Joints (A)** are all facing the same direction.

TIP B

Face metal button upwards on **Pipe (C)**.

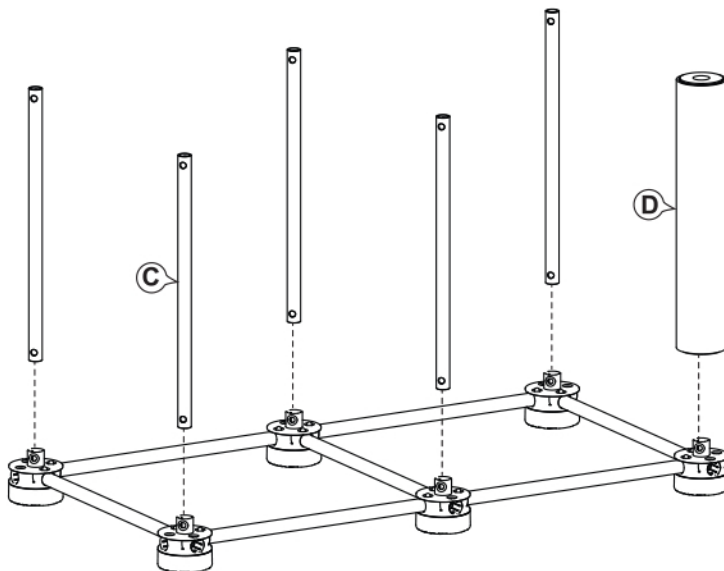
Press down on metal button in **Pipe (C)**.

While holding down metal button in **Pipe (C)** push pipe into **Joint (A)**. When the metal button pops through the hole in the joint, the parts are locked together correctly!



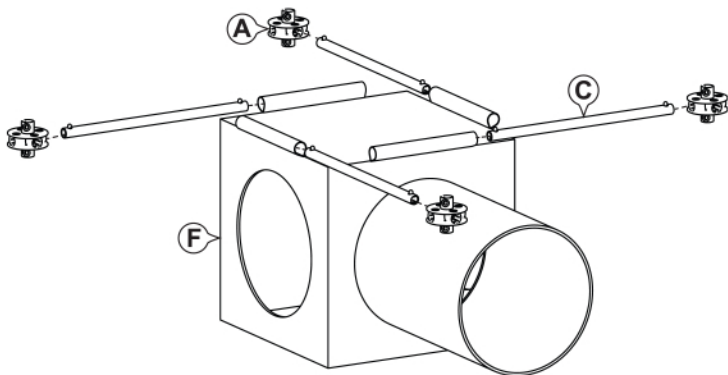
Step 2

Insert **Pipes (C)** and **Post (D)** into base as shown.



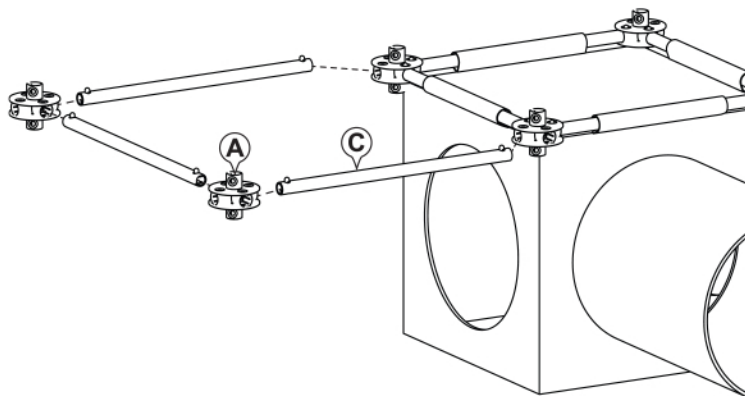
Step 3

Using **Cube with Tunnel (F)** slide **Pipes (C)** through sleeves. Insert **Pipes (C)** into **Joints (A)** as shown.



Step 4

Insert **Pipes (C)** into **Joints (A)** as shown.



TIP A

Ensure all holes in **Joints (A)** are oriented the same way as joints in Step 1.

TIP A

Ensure all holes in **Joints (A)** are oriented the same way as joints in Step 1.

