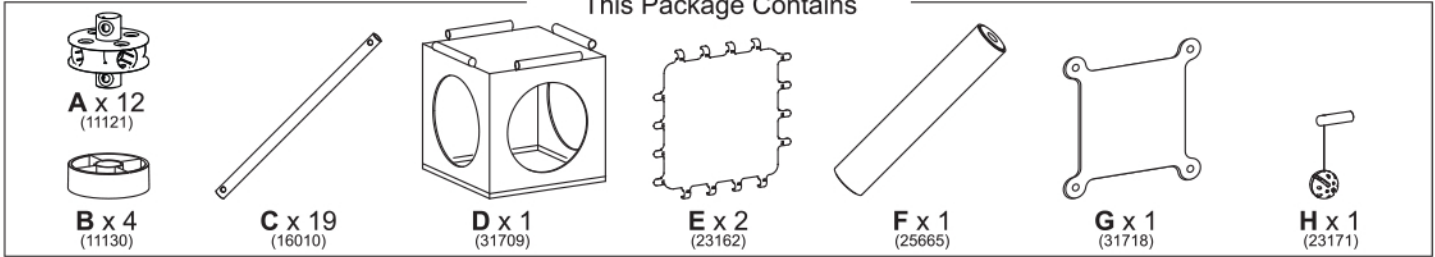


# Kitty City 2.0 Tower

CM-10089

8/28/20 V1

This Package Contains

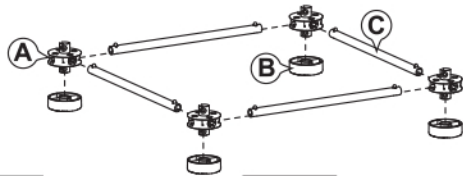


**DO NOT RETURN THIS UNIT TO THE STORE** Please make sure you have all parts prior to assembly. All SportPet® products include a 6-month limited manufacturer's warranty for defective or missing parts. If any parts are missing or damaged please email our friendly customer service center at [info@sportpet.com](mailto:info@sportpet.com).

**TOUGH TO PUT TOGETHER SO IT'S EVEN TOUGHER FOR YOUR CAT TO POUNCE APART!**

## Step 1

Assemble base using **Joints (A)**, **Feet (B)** and **Pipes (C)** as shown. \*Look at **TIPS** below construction for successful assembly tricks!



### TIP A

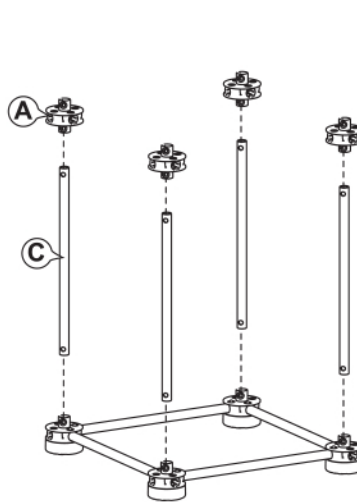
Make sure holes in **Joints (A)** are all facing the same direction.

### TIP B

Face metal button upwards on **Pipe (C)**. Press down on metal button in **Pipe (C)**. While holding down metal button in **Pipe (C)** push pipe into **Joint (A)**. When the metal button pops through the hole in the joint, the parts are locked together correctly!

## Step 2

Insert **Pipes (C)** and **Joints (A)** into base as shown.

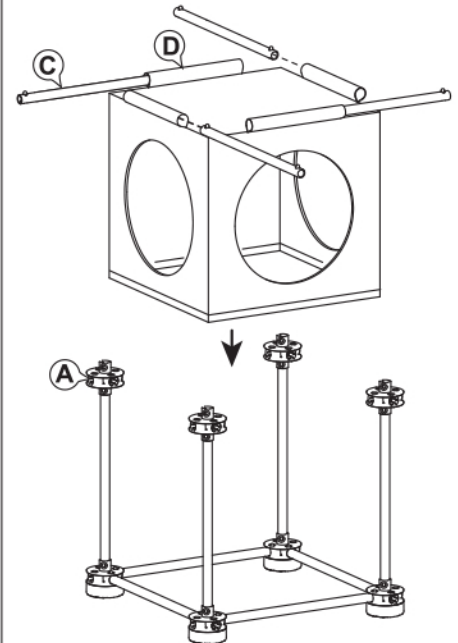


### TIP A

Ensure all holes in **Joints (A)** are oriented the same way as joints in Step 1.

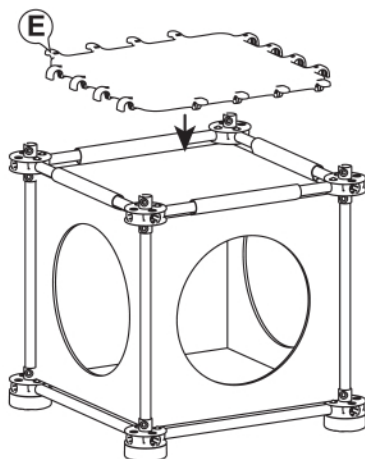
## Step 3

Using **Cube (D)** slide **Pipes (C)** through sleeves. Insert **Pipes (C)** into **Joints (A)**.



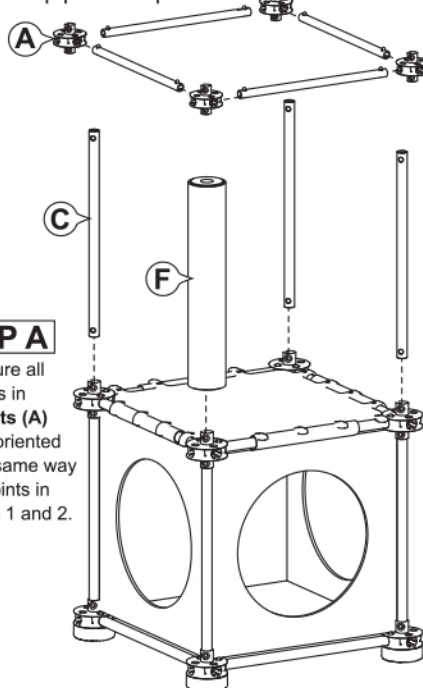
## Step 4

Snap **Panel (E)** onto **Pipes (C)** and push down to lock panel in place.



## Step 5

Insert **Pipes (C)** and **Post (F)**. Assemble **Pipes (C)** and **Joints (A)** and insert into vertical pipes and post.

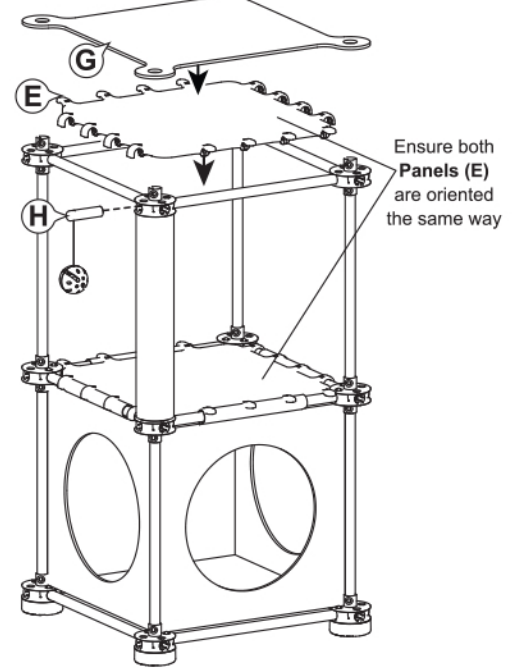


### TIP A

Ensure all holes in **Joints (A)** are oriented the same way as joints in Step 1 and 2.

## Step 6

Snap **Panel (E)** onto **Pipes (C)** and push down to lock panel in place. Place **Felt Platform (G)** onto panel and attach **Toy (H)**.



Ensure both **Panels (E)** are oriented the same way