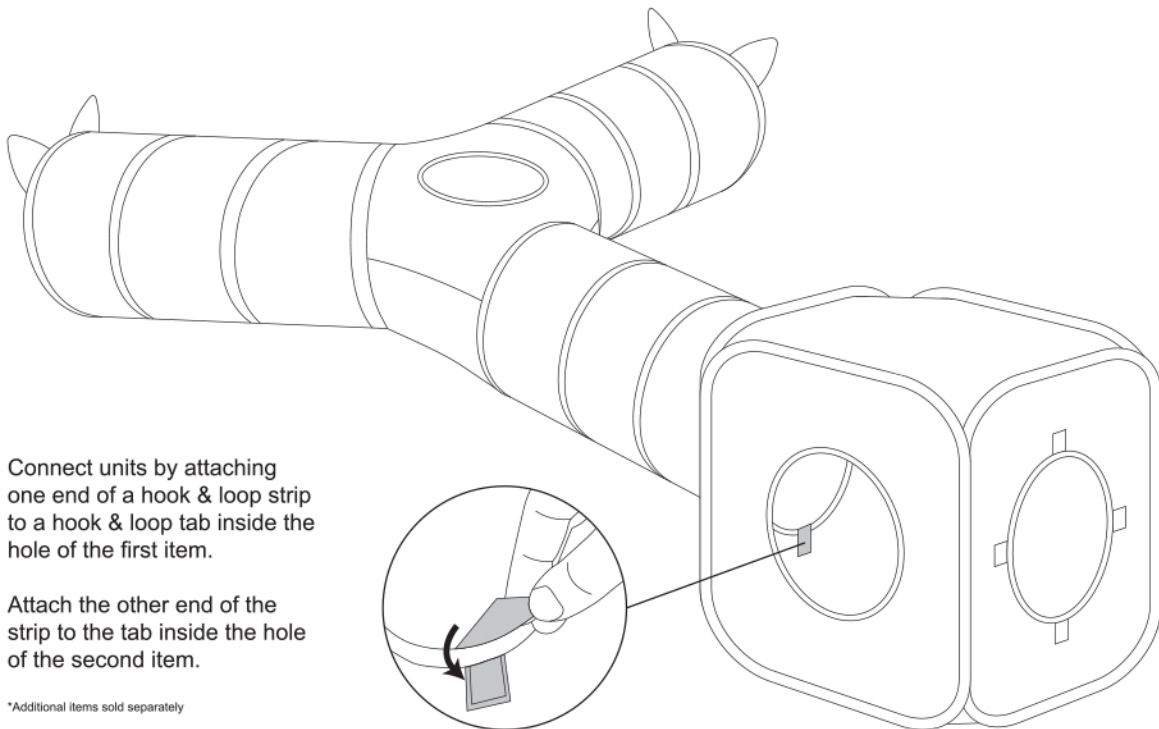


# Pop Open Connecting Instructions

Use the included hook & loop strip to connect your item to another Pop Open Cube, Tunnel, or House!\*



Connect units by attaching one end of a hook & loop strip to a hook & loop tab inside the hole of the first item.

Attach the other end of the strip to the tab inside the hole of the second item.

\*Additional items sold separately

**DO NOT RETURN THIS UNIT TO THE STORE** Please make sure you have all parts prior to assembly.

All SportPet® products include a 6-month limited manufacturer's warranty for defective or missing parts. If any parts are missing or damaged, **Please email our friendly customer service center at [info@sportpet.com](mailto:info@sportpet.com)**



Because every cat is different, it is important to monitor your cat's behavior with this product. If at any time your cat damages this item, or any portion of this item becomes damaged, remove the damaged portion or discontinue use of the product.