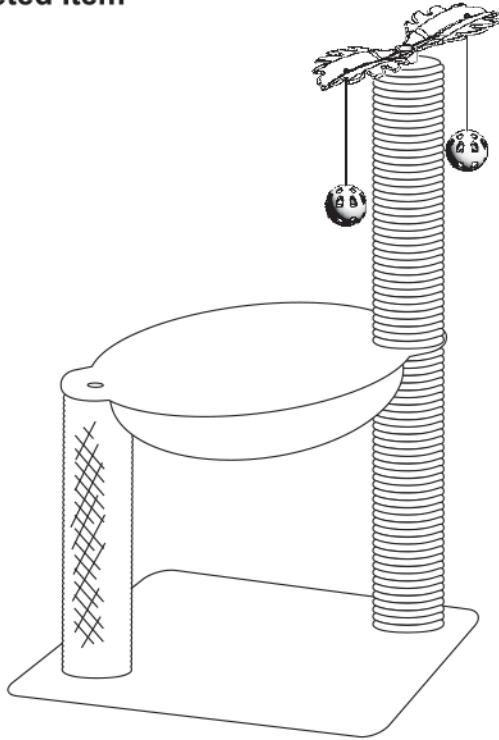


DO NOT RETURN THIS UNIT TO THE STORE Please make sure you have all parts prior to assembly.

All SportPet® products include a 6-month limited manufacturer's warranty for defective or missing parts.

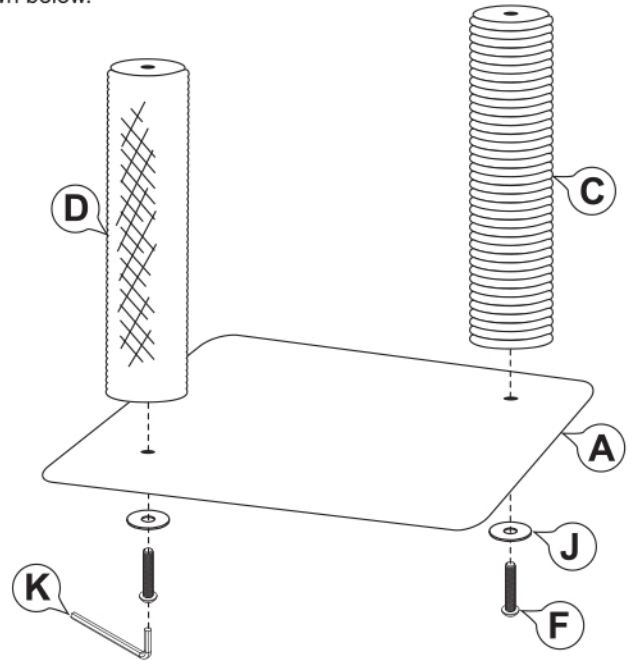
If any parts are missing or damaged, **Please email our friendly customer service center at info@sportpet.com**

Completed Item



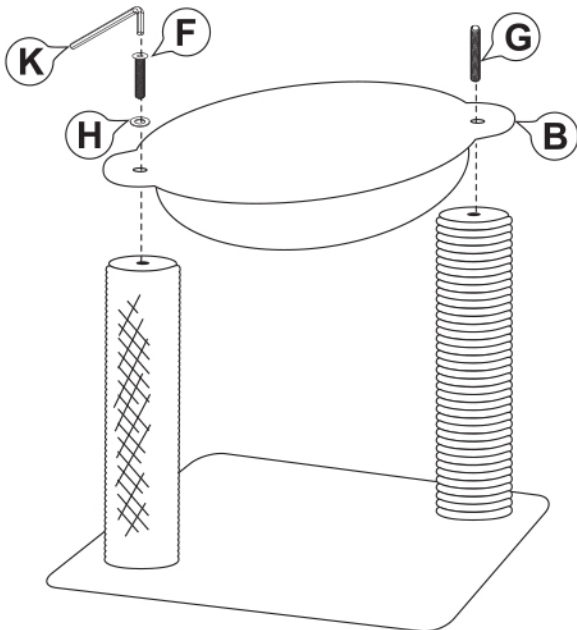
Step 1

Insert **Bolts (F)** through **Large Washers (J)** and **Base (A)** into bottom of **Scratch Posts (C&D)**. Use **Wrench (K)** to screw tightly together as shown below.



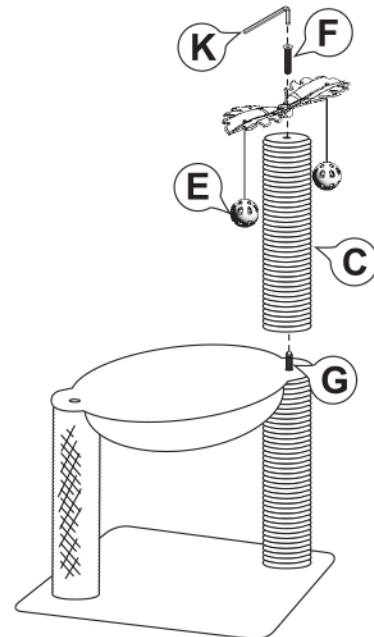
Step 2

Attach **Hammock (B)** to **Scratch Posts (C&D)** using **Bolt (F)**, **Double-Ended Screw (G)**, and **Small Washer (H)**. Use **Wrench (K)** to screw tightly together as shown below.



Last Step

Attach **Scratch Post (C)** to the exposed end of **Double-Ended Screw (G)**. Finally, attach **Leaves with Toys (E)** using **Bolt (F)**. Use **Wrench (K)** to screw tightly together as shown below.



Because every cat is different, it is important to monitor your cat's behavior with this product. If at any time your cat damages this item, or any portion of this item becomes damaged, remove the damaged portion or discontinue use of the product.