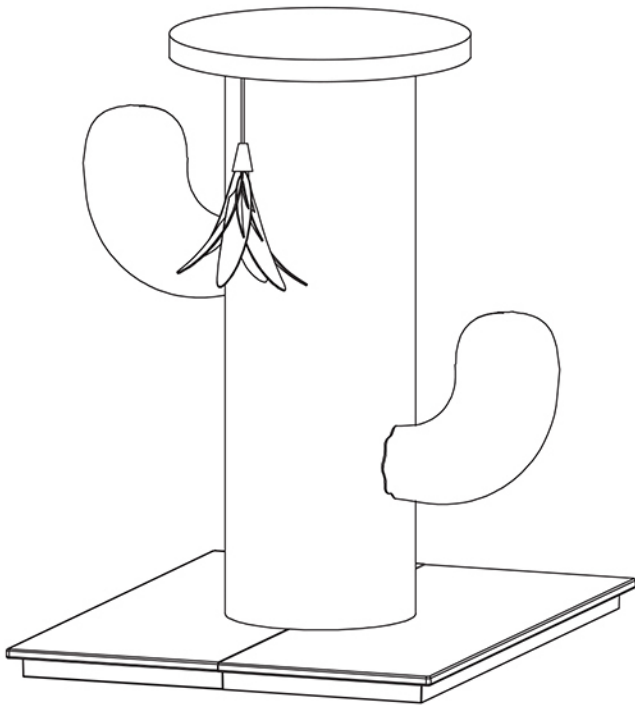


DO NOT RETURN THIS UNIT TO THE STORE Please make sure you have all parts prior to assembly.

All SportPet® products include a 6-month limited manufacturer's warranty for defective or missing parts.

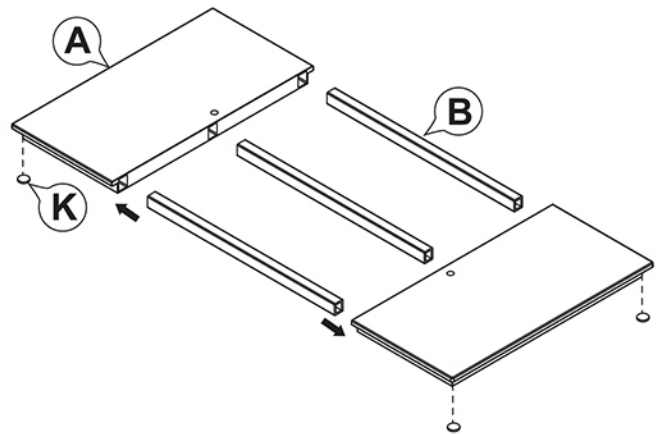
If any parts are missing or damaged, **Please email our friendly customer service center at info@sportpet.com**

Completed Item



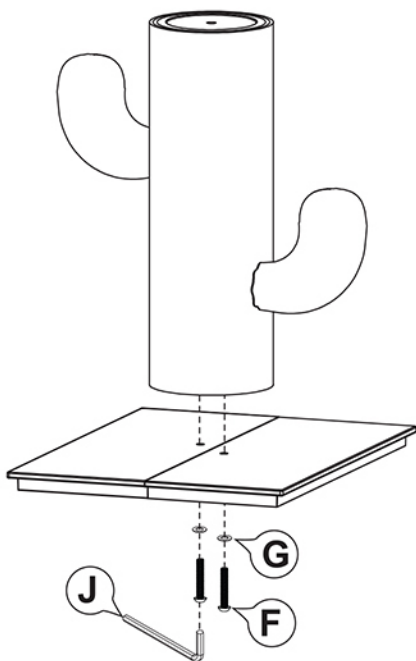
Step 1

Attach **Feet (K)** to bottom corners of **Base Halves (A)**. Then connect **Base Halves** by inserting **Poles (B)** into side holes as shown below.



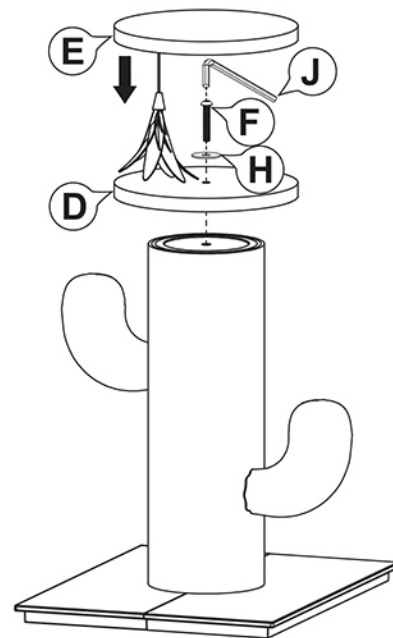
Step 2

Insert **Bolts (F)** through **Small Washers (G)** and **Base (A)** into **Post (C)**. Use **Wrench (J)** to screw tightly together as shown below.



Last Step

Insert **Bolt (F)** through **Large Washer (H)** and **Platform (D)** into **Post (C)**. Use **Wrench (J)** to screw tightly together. Finally, wrap **Fleece Cover with Toy (E)** over **Platform (D)** as shown below.



Because every cat is different, it is important to monitor your cat's behavior with this product. If at any time your cat damages this item, or any portion of this item becomes damaged, remove the damaged portion or discontinue use of the product.