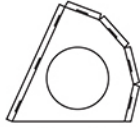
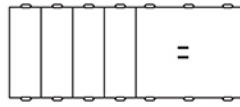


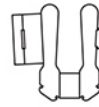
A x 1
(44059)



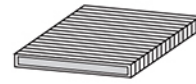
B x 1
(44068)



C x 1
(44077)



D x 1
(44086)



E x 1
(25595)



F x 12
(23047)

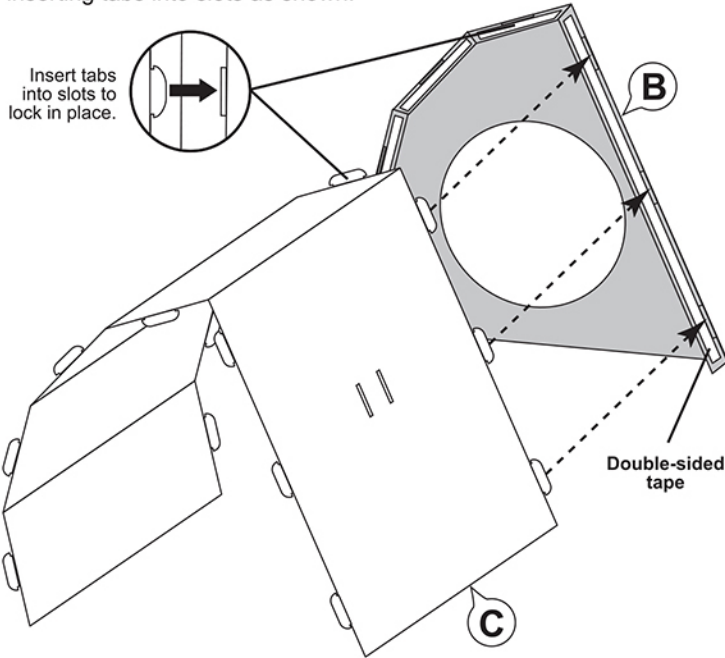
DO NOT RETURN THIS UNIT TO THE STORE Please make sure you have all parts prior to assembly.

All SportPet® products include a 6-month limited manufacturer's warranty for defective or missing parts.

If any parts are missing or damaged, **Please email our friendly customer service center at info@sportpet.com**

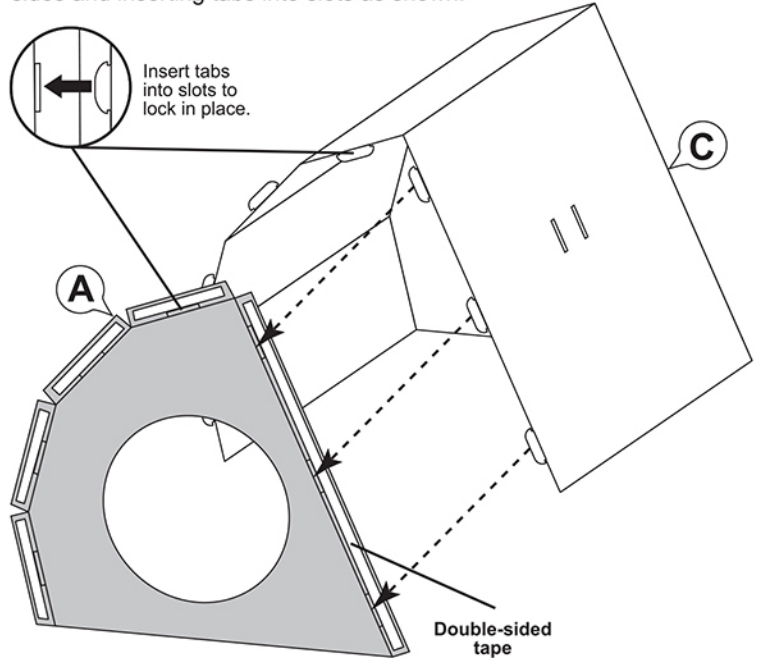
Step 1

Remove protective film from double-sided tape of **Back Panel (B)**. Connect **Back Panel (B)** to **Side Panel (C)** by folding sides and inserting tabs into slots as shown.



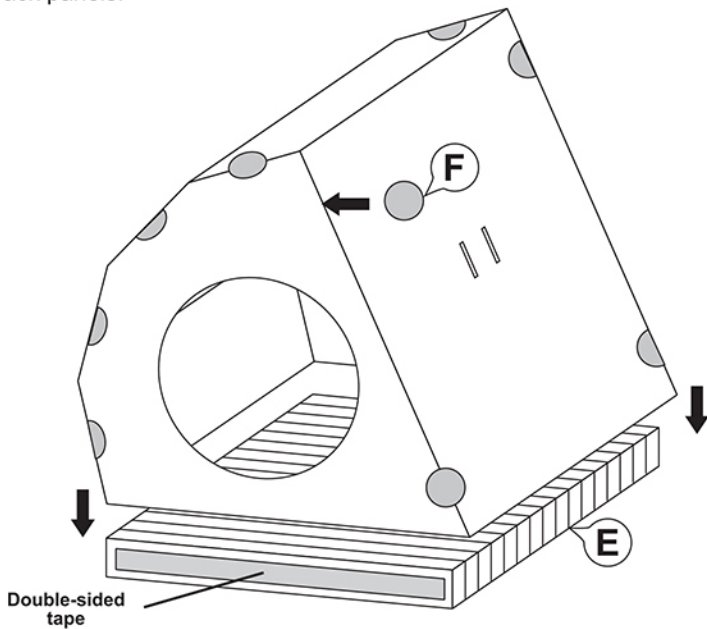
Step 2

Remove protective film from double-sided tape of **Front Panel (A)**. Connect **Front Panel (A)** to the opposite of **Side Panel (C)** by folding sides and inserting tabs into slots as shown.



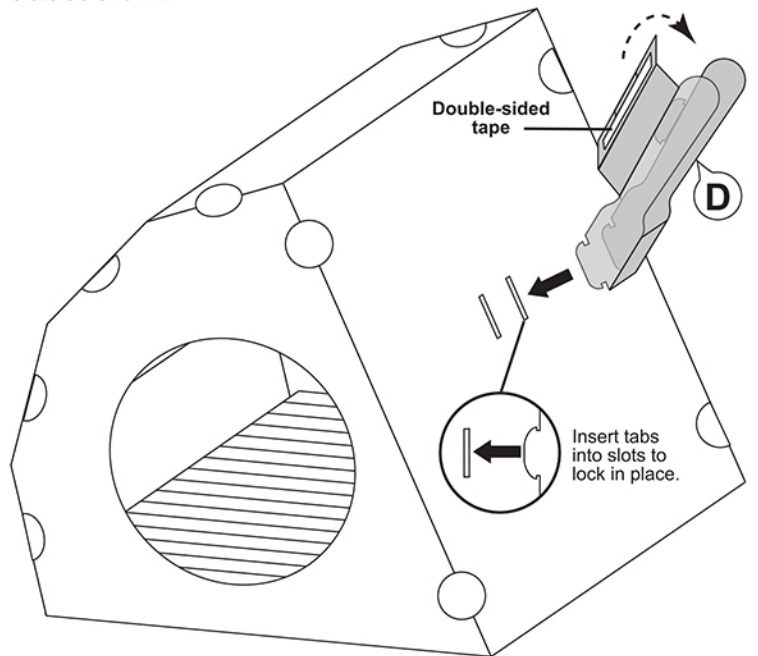
Step 3

Reinforce connections by placing **Clear Stickers (F)** over the tabs and slots. Remove protective film from double-sided tape of **Corrugate Block (E)**. Slide **Completed Panels** over the sides of the board as shown. Press to attach the board to the front and back panels.



Last Step

Remove protective film from double-sided tape of **Fork (D)**. Attach **Fork (D)** to **Side Panel (C)** by folding sides and inserting tabs into slots as shown.



Because every cat is different, it is important to monitor your cat's behavior with this product. If at any time your cat damages this item, or any portion of this item becomes damaged, remove the damaged portion or discontinue use of the product.