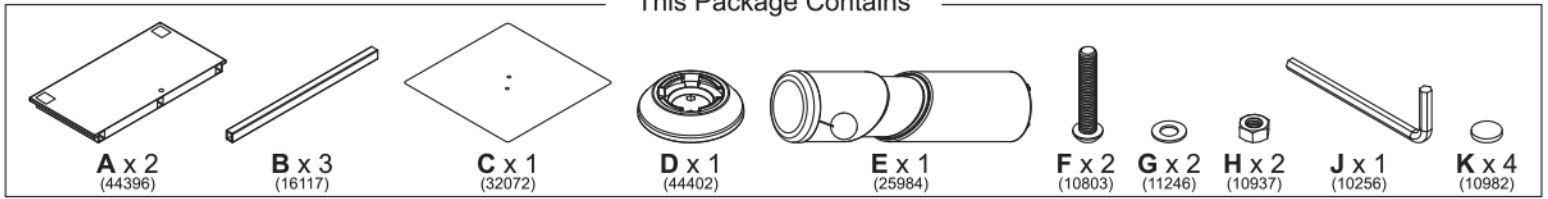


Tremendous Twist Post

This Package Contains

22C-SR020

10/21/22 V2

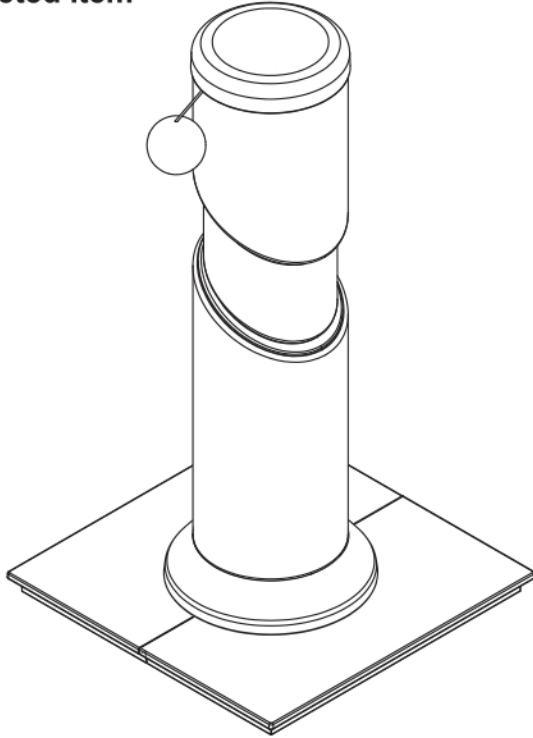


DO NOT RETURN THIS UNIT TO THE STORE Please make sure you have all parts prior to assembly.

All SportPet® products include a 6-month limited manufacturer's warranty for defective or missing parts.

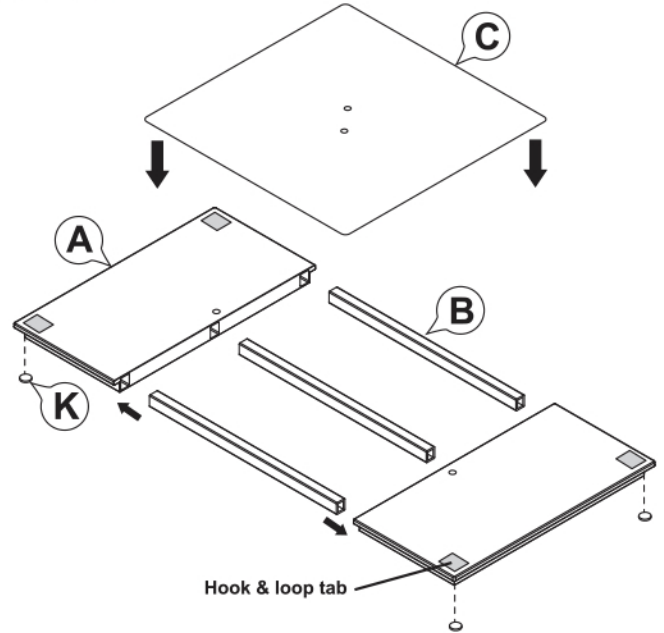
If any parts are missing or damaged, **Please email our friendly customer service center at info@sportpet.com**

Completed Item



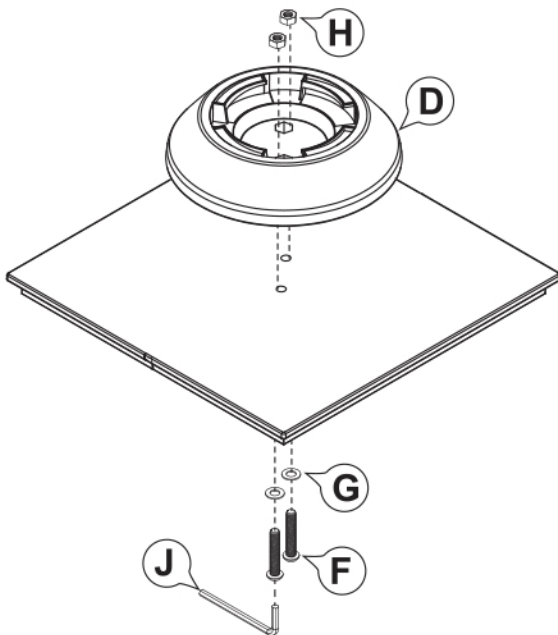
Step 1

Attach **Feet (K)** to bottom corners of **Base Halves (A)**. Next connect **Base Halves** by inserting **Poles (B)** into side holes. Finally, attach **Felt Mat (C)** on top of **Base Halves** using hook & loop tabs as shown below.



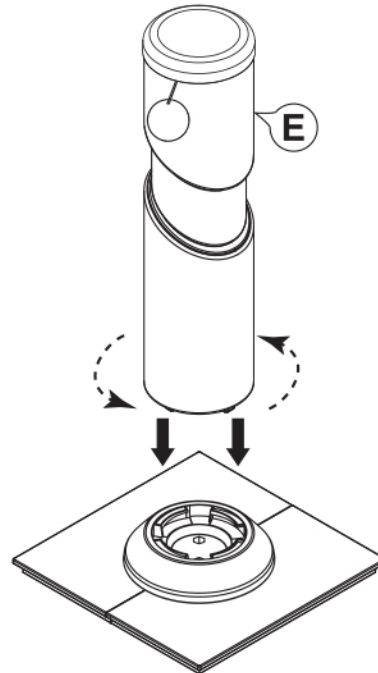
Step 2

Insert **Bolts (F)** through **Washers (G)** and **Base with Mat (A&C)** into **Post Base (D)**. Use **Nuts (H)** and **Wrench (J)** to screw tightly together as shown below.



Last Step

Insert **Post (E)** into **Post Base** and turn post counter-clockwise to lock in place as shown below.



Because every cat is different, it is important to monitor your cat's behavior with this product. If at any time your cat damages this item, or any portion of this item becomes damaged, remove the damaged portion or discontinue use of the product.